

## PEES Power Systems

# Zimbabwe s first communication base station energy storage



## Overview

---

Sona Solar Zimbabwe has been a pioneer in addressing this challenge through its robust and reliable solar-powered energy storage systems. These systems are specifically designed to integrate with Starlink satellite internet, providing a sustainable and efficient solution for remote. TelOne, Zimbabwe's state-owned telecom company, is inviting bids for solar power systems with battery storage for its network facilities. Bidders will finance, supply, and install the systems and receive payments in six monthly installments after commissioning. This initiative, spearheaded by ZESA Holdings executive chairman Sydney Gata, aims to mitigate the impact of hydrological issues at. Pre-fabricated containerized solutions now account for approximately 35% of all new utility-scale storage deployments worldwide. Europe follows closely. st to Zimbabwe"s power generation capacity. Of the 32 US projects li mes to grid-scale battery storage. By offering advanced energy storage systems that power Starlink satellite communication, Sona Solar Zimbabwe ensures reliable, 24/7 internet access Communication base station energy storage lithium battery refers to a type of rechargeable lithium-ion battery that is specifically designed for use in.

## Zimbabwe s first communication base station energy storage

---



### ZIMBABWE ENERGY STORAGE POWER STATION PROJECT

The energy storage measures that can be widely used are chemical battery energy storage and pumped storage, and the three application scenarios of pumped storage power station, chemical battery ...

### Zimbabwean telco issues battery storage tender

TelOne, Zimbabwe's state-owned telecom company, is inviting bids for solar power systems with battery storage for its network facilities. Bidders will finance, supply, and install the ...



### Zimbabwe communication base station energy storage system

...

In a groundbreaking move to address Zimbabwe's persistent power cuts, ZESA Holdings has announced the installation of a utility-scale battery energy storage system.

## Zimbabwe Global Communications Base Station Energy Storage System

Welcome to our dedicated page for Zimbabwe Global Communications Base Station Energy Storage System! Here, we have carefully selected a range of videos and relevant information about ...



## Zimbabwe smart energy storage project listed

Sweden-based SENS develops large-scale energy projects combining renewable energy sources with energy storage technologies such as underground pumped hydro storage (UPHS) and/or battery

## Zimbabwe Solar Communication Base Station Energy Storage ...

Sona Solar Zimbabwe has been a pioneer in addressing this challenge through its robust and reliable solar-powered energy storage systems. These systems are specifically designed to integrate with ...



## Zimbabwe Energy Storage Power Station Construction

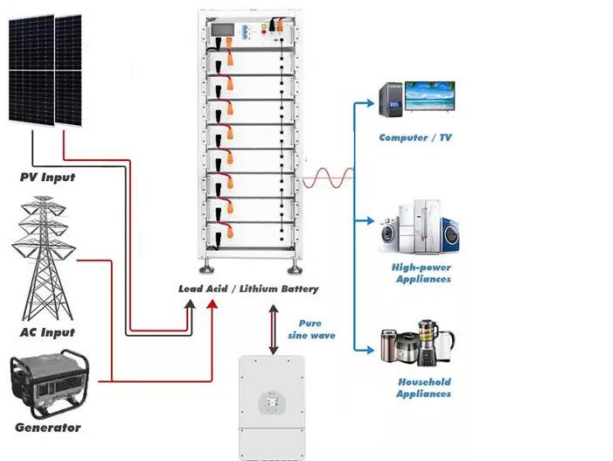
## Key Steps and



Summary: Explore the critical phases of building energy storage power stations in Zimbabwe, including planning, technology selection, and regulatory compliance.

## COMMUNICATION BASE STATION BACKUP BATTERIES ZIMBABWE

Huijue's lithium battery-powered storage offers top performance. Suitable for grids, commercial, & industrial use, our systems integrate seamlessly & optimize renewables. High-density, long-life, & ...



## ZESA's Bold Move to Battery Storage: A Game Changer for Zimbabwe's

ZESA's initiative to install a utility-scale battery energy storage system marks a significant milestone in Zimbabwe's energy sector. This project not only addresses the immediate power ...

## COMMUNICATION BASE STATION ENERGY STORAGE SYSTEMS

A base station energy storage system is a compact, modular battery solution designed to ensure uninterrupted power supply for telecom base stations. It supports stable operations during grid ...



---

## Contact Us

---

For catalog requests, pricing, or partnerships, please visit:  
<https://www.peregrine-energy.co.za>

