

PEES Power Systems

Wind Power Generation User Cabinet 19-inch Project EPC



Wind Power Generation User Cabinet 19-inch Project EPC

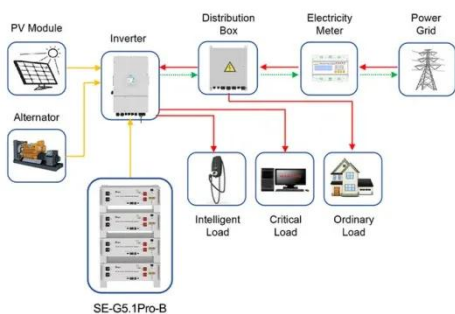


Wind Power Storage EPC Quotation: The Ultimate Guide for 2024

Let's cut to the chase: If you're searching for wind power storage EPC quotation details, you're probably a project developer, engineer, or investor knee-deep in renewable energy. Maybe ...

Engineering Procurement Construction (EPC)

Combining extensive project management experience with product expertise for increased business case certainty Vestas Engineering Procurement Construction (EPC) leverages extensive ...



Application scenarios of energy storage battery products

19" IPC Cabinets

19" IPC Cabinets TP-2168B-11
 Accessories: Die-cast heavy duty aluminum post frame 4 heavy duty wheels 4 leveling feet Grounding wires
 Dimensions

Wind power project energy storage cabinet

Project engineering, procurement, and construction (EPC) was provided by Nanjing NR Electric Co., Ltd., while the project's container energy storage battery system was supplied by Gotion

...



EPC Division

As EPC Firm, we work with an extensive network of experienced and trusted civil and electrical contractors to arrange the design, purchasing and construction of your wind energy project.

Wind Energy EPC , Comprehensive Wind Power Solutions

We specialize in end-to-end EPC (Engineering, Procurement, and Construction) services for wind energy projects. With more than a decade of industry experience and technical expertise, we ...



How to design a power distribution cabinet for a wind power project



Conclusion Designing a power distribution cabinet for a wind power project is a complex and challenging task. It requires a thorough understanding of the specific requirements of the wind power project, the ...

Wind Turbine Energy Storage Cabinet Cost: A Comprehensive

...

GLASHAUS POWER - Summary: Curious about the cost of wind turbine energy storage cabinets? This guide breaks down pricing factors, market trends, and real-world examples to help you make ...



Study on the Selection of Equipment Suppliers for Wind Power Generation

This paper, took EPC project for the phase I engineering of Guizhou Huaxi Yunding wind power plant as research background, constructed the evaluation index system for the selection of ...

Wind EPC (Engineering, Procurement & Construction) - Best ...

Sunspire Green Energy delivers turnkey Wind EPC solutions designed for maximum efficiency and sustainability. Our approach covers every phase, from feasibility studies to the installation of wind ...



Contact Us

For catalog requests, pricing, or partnerships, please visit:
<https://www.peregrine-energy.co.za>

