

## PEES Power Systems

# What materials are used for photovoltaic panel installation

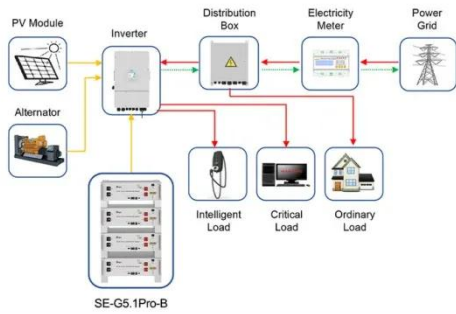


## Overview

---

For installing the system, the materials that are required for installation are roof anchors that are made up of aluminum or steel, a unique key lock system between the roof anchors and the mounting frame, mounting frame, bolts to screw it tightly, clamps to fix the solar. For installing the system, the materials that are required for installation are roof anchors that are made up of aluminum or steel, a unique key lock system between the roof anchors and the mounting frame, mounting frame, bolts to screw it tightly, clamps to fix the solar. The installation of solar panels can be done over the roofs. The homeowner can process easy installation, or one can also take the help of a solar installation professional to install the solar panels. In this blog, we will learn about the different raw materials for solar panels, and what is their importance in converting sunlight into electricity. Understanding the materials used in PV cells is crucial for electricians involved in solar panel installation and maintenance, as these. DIY solar projects involve assembling essential materials like solar panels, charge controllers, inverters, batteries, and wiring. Inverters transform direct current (DC) from panels.

## What materials are used for photovoltaic panel installation



Application scenarios of energy storage battery products

## What materials are needed to install solar energy , NenPower

Understanding the types of solar panels available is crucial. The three primary types are monocrystalline, polycrystalline, and thin-film, each with unique efficiencies, costs, and installation ...

## A New Way of Designing Auxetic Materials , NIST

The new algorithm allows for fine-tuning this relationship to create auxetic materials that behave in ways you couldn't find in nature. "Our research is a beautiful example of theoretical, ...



## Metrology of Purity and Contaminants in Solid Materials

Summary Chips manufacturers use a variety of high-purity solid materials, such as silicon, germanium, copper, gold, silver, GeSi, AlGaN, etc., in their processes. Reliable chips require that ...

## SRM NIST Standard Reference Materials Catalog January 2025

SRM Catalog listing all SRMs for sale



### 8 Major Solar Materials Used to Make Solar Panel

It all starts with a combination of different raw materials, each playing a crucial role in creating a solar panel. In this blog, we will learn about the different raw materials for solar panels, and what is their ...

### Rare Crystal Shape Found to Increase the Strength of 3D-Printed Metal

NIST researchers have found special atomic patterns called quasicrystals in 3D-printed aluminum alloys. Quasicrystals increase the strength of 3D-printed aluminum, the researchers ...



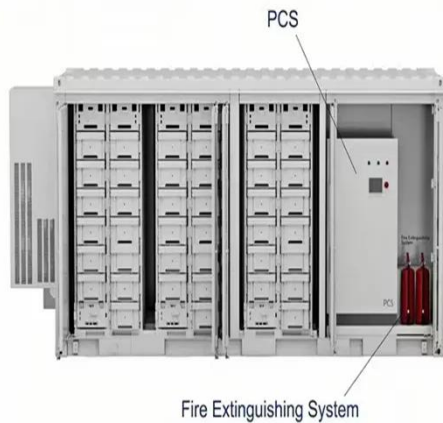
### What Are Solar Panels Made Of and How Are They Made?



Most panels on the market are made of monocrystalline, polycrystalline, or thin film ("amorphous") silicon. In this article, we'll explain how solar cells are made and what parts are ...

## What Are Solar Panels Made Of and How Are They ...

Most panels on the market are made of monocrystalline, ...



## NIST's Curved Neutron Beams Could Deliver Benefits Straight to ...

Scientists from NIST and other institutions have created the first neutron "Airy beam," which has unusual capabilities that ordinary neutron beams do not. This achievement could enhance ...

## Applied Materials , NIST

The award will support Applied Materials in developing and scaling a disruptive

silicon-core substrate technology for next-generation advances in packaging and 3D heterogeneous integration.



## What Are Solar Panels Made Of? Detailed Materials Breakdown

At the core of every solar panel are several materials designed to capture the sun's energy and convert it into usable electricity. Solar panels typically consist of silicon solar cells, a ...

## What Materials Are Needed for a DIY Solar Setup?

Discover everything you need for a DIY solar setup, from efficient solar panels and MPPT charge controllers to lithium-ion batteries and pure sine wave inverters.



## Basics of Photovoltaic (PV) Cells: Materials Used in PV Cells



In addition to silicon, other materials are used in the production of PV cells, particularly in thin-film technologies. These materials include cadmium telluride (CdTe), copper indium gallium selenide ...

---

## Solar Panel Components (List and Functions)

The solar panel accessories can vary depending on the type and style of the panel you operate. However, many products will require additional items, such as batteries, solar wires, ...



## What Material Is Used In Photovoltaic Panels?

Discover what material is used in some photovoltaic panels, how they work, and why choosing the right solar technology benefits your home and energy savings.

---

## Infrared Optical Properties of Materials

materials needed for optical science research and industrial applications. The interaction of light with matter is

different at different wavelengths and the techniques to measure the optical properties differ ...



 TAX FREE    

**Product Model**  
HJ-ESS-215A(100KW/215KWh)  
HJ-ESS-115A(50KW/115KWh)

**Dimensions**  
1600\*1280\*2200mm  
1600\*1200\*2000mm

**Rated Battery Capacity**  
215KWH/115KWH

**Battery Cooling Method**  
Air Cooled/Liquid Cooled

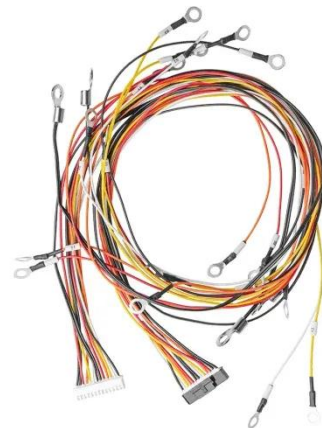


## Materials , NIST

Materials Genome Initiative (federal government wide) NIST MGI Standard Reference Materials Plastics, carbon nanotubes, high-strength alloys, artificial bone and joint replacements are just some of the ...

## Detailed Solar Panel Raw Material List for Quality Panels

Discover the essential solar panel materials that create a PV module. Our guide covers every component, from silicon cells to the frame and junction box.



## Materials Needed For Solar Panel Installation

Know the essential materials needed for smooth, efficient solar panel installation every time you set up a system.



## Materials by Design , NIST

The team then contributed data to the developing materials-innovation infrastructure, making it easier for anyone to design new coinage materials in the future. "One of the big goals for ...



### Support Customized Product



## Materials laboratories of the future for alloys, amorphous, and

Abstract In alignment with the Materials Genome Initiative and as the product of a workshop sponsored by the US National Science Foundation, we define a vision for materials ...

## Contact Us

For catalog requests, pricing, or partnerships, please visit:

<https://www.peregrine-energy.co.za>

