

PEES Power Systems

Ultra-large capacity intelligent photovoltaic energy storage container for wastewater treatment plants



Overview

CATL today unveiled the TENER Stack, the world's first 9MWh ultra-large capacity energy storage system solution set for mass production at EES Europe 2025, representing a strategic leap forward in capacity, deployment flexibility, safety, and transportability. Shanghai (Gasgoo)- On May 7, CATL launched the TENER Stack at the EES Europe in Munich, marking the unveiling of. Bluesun provides 500 kwh to 2 mwh energy storage container solutions. Power up your business with reliable energy solutions. What is a mobile solar PV container?

High-efficiency Mobile Solar PV Container with foldable solar panels, advanced lithium battery storage. The ClearFox® Containerized System is a packaged wastewater treatment plant, custom designed and pre-installed within ISO shipping containers. As a modular solution, it is easily transportable by land or sea, with minimal onsite installation required. LZY mobile solar systems integrate foldable, high-efficiency panels into standard shipping containers to generate electricity through rapid deployment generating 20-200 kWp solar.

Ultra-large capacity intelligent photovoltaic energy storage contain



CATL Launches World's First 9MWh Ultra-Large Capacity TENER ...

CATL today unveiled the TENER Stack, the world's first 9MWh ultra-large capacity energy storage system solution set for mass production at ees Europe 2025, representing a strategic leap ...

Solar Container , Large Mobile Solar Power Systems

LZY offers large, compact, transportable, and rapidly deployable solar storage containers for reliable energy anywhere.

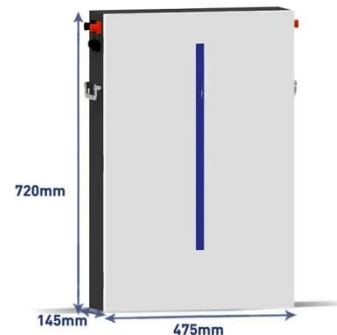


20-foot intelligent photovoltaic energy storage container for Beijing

I'm interested in learning more about your 20-foot intelligent photovoltaic energy storage container for Beijing wastewater treatment plant. Please send me more information and pricing details.

Utilization of solar energy for wastewater treatment: Challenges and

Cost-efficient wastewater treatment methods using solar power would significantly ensure effective water source utilization, thereby contributing towards sustainable development goals.



Containerized Portable Wastewater Treatment Plants , Biocell Water

Biocell Water containerised wastewater treatment plants offer a fast and effective above ground portable wastewater treatment system solution for any site, without the need for any existing infrastructure.

ClearFox® Containerized Systems

The ClearFox® Containerized System is a packaged wastewater treatment plant, custom designed and pre-installed within ISO shipping containers. As a modular solution, it is easily transportable by land

...



CATL unveils mass-producible 9MWh energy storage system

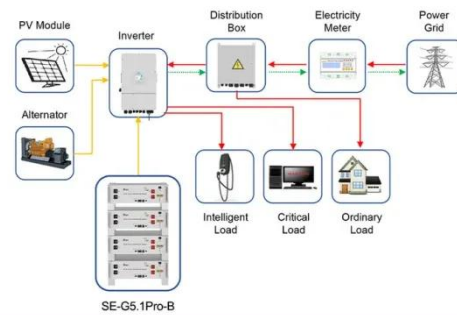


solution

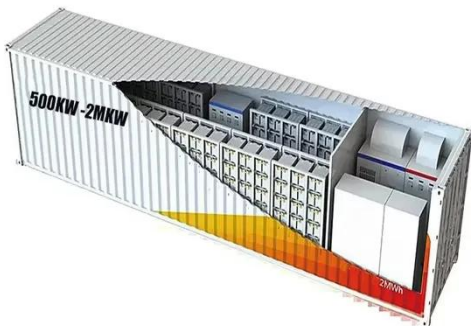
Compared to traditional 20-foot container systems, it boasts a 45% increase in space utilization and a 50% boost in energy density. With a single-unit capacity of 9MWh, the system can ...

Ayoun Smart Photovoltaic Energy Storage Container with Ultra ...

High-efficiency Mobile Solar PV Container with foldable solar panels, advanced lithium battery storage (100-500kWh) and smart energy management. Ideal for remote areas, emergency rescue and ...



Application scenarios of energy storage battery products



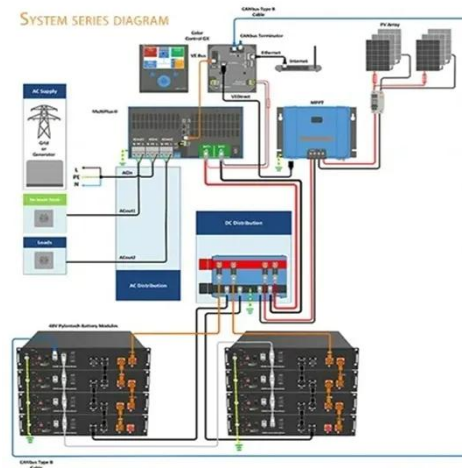
World's First Mass-Produced! CATL Launches 9MWh Ultra-Large-Capacity

Compared to traditional 20-foot container systems, TENER Stack improves volume utilization by 45% and energy density by 50%, with a single-unit capacity of 9MWh. The system's ...

Intelligent containerised waste water treatment plant , Sewage

Our intelligent containerised waste water treatment plants offer a fast and effective above ground portable waste water treatment system solution for any sites, without the need for any existing

...



Contact Us

For catalog requests, pricing, or partnerships, please visit:
<https://www.peregrine-energy.co.za>

