

PEES Power Systems

Tashkent solar integrated energy storage cabinet 600kW



Tashkent solar integrated energy storage cabinet 600kW



Tashkent Energy Storage Cabinet Container Procurement ...

UzbekistanâEURTM s push for renewable energy integration and grid modernization has fueled demand for modular energy storage solutions. This article breaks down critical factors for buyers, suppliers, and ...

Uzbekistan's largest solar energy storage project sprints towards key

The Tashkent solar energy storage project in Uzbekistan, led by China Energy Engineering Corporation, has made significant progress - the structural topping out of the energy ...

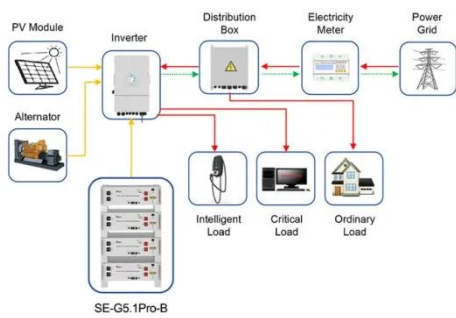


Understanding Large Energy Storage Cabinet Costs in Tashkent: Key

Investing in large energy storage cabinets requires balancing upfront costs with long-term operational benefits. With Tashkent's energy landscape evolving rapidly, partnering with experienced providers ...

Outdoor Battery Energy Storage (Multi cabinet)

It comes with smart functionality like time shift and peak shaving to reduce your energy cost, and it's fully integrated, enabling you to get the most out of both new and existing solar panels.



Application scenarios of energy storage battery products

Tashkent Photovoltaic Energy Storage: Powering Uzbekistan's Green

Think of these systems as "energy camels" - they store solar power during the day and release it when needed most. The magic happens through: Tashkent's Xincheng Water Center ...

Uzbekistan Solar Container 600kW

The Tashkent solar energy storage project in Uzbekistan, led by China Energy Engineering Corporation, has made significant progress - the structural topping out of the



Tashkent Solar Energy Storage



Located approximately 20 kilometers northeast of Tashkent, the capital city, the project comprises a 200 megawatt (MW) solar photovoltaic (PV) plant coupled with a 500 megawatt-hour (MWh) battery ...

Tashkent Energy Storage & Solar Price Guide 2024: Costs, Trends, ...

The Future of Energy Storage in Tashkent With grid tariffs projected to rise 6% annually (Uzbek Energy Ministry data), solar+storage isn't just eco-friendly - it's becoming essential for cost control.



Major Energy Storage Project in Central Asia Connected to Grid

The energy storage station of Uzbekistan's Tashkent Solar Energy Storage Project, the largest electrochemical energy storage facility in Central Asia, was successfully connected to the grid ...

Tashkent Distributed Energy

Storage: Powering a Sustainable Future

Discover how distributed energy storage systems are reshaping Tashkent's energy landscape, reducing costs, and supporting renewable integration. As Uzbekistan's capital, Tashkent faces growing energy ...



Contact Us

For catalog requests, pricing, or partnerships, please visit:
<https://www.peregrine-energy.co.za>

