

PEES Power Systems

Solar power wind turbine assembly



Overview

The wind solar hybrid system's main components include a wind turbine and tower, solar photovoltaic panels, batteries, wires, a charge controller, and an inverter. After all, the sun can't always shine and the wind can't always blow. Out of all. Solar and wind power are two of the most popular sources of renewable energy. This combination of solar and wind power uses two sources that are not always on, and. However, a common criticism leveled at renewable energy resources like wind and solar is: what happens when the wind isn't blowing and the sun isn't shining?

There are many options to solve this criticism, from net metering policies to pairing solar with energy storage. One additional new method.

Solar power wind turbine assembly

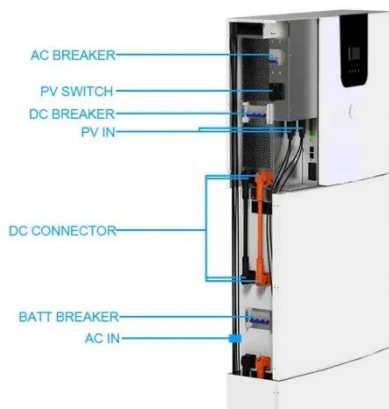


Hybrid Systems: Small Wind, Solar Power, and Energy ...

Combine small wind turbines and solar panels for a hybrid renewable energy system. Learn how this powerful solution ensures energy safety.

Maximize Power: Integrating Wind With Solar Systems

To get started, I need to estimate my energy requirements, evaluate my energy needs, and choose the right turbine for my setup. I'll also need to assess site feasibility, install and wire the ...



Wind Turbines And Solar Panels: Hybrid Energy Systems

What is a hybrid energy system? How do solar and wind work together? We break down how you can combine two types of renewable energy.

Solar and Wind Power: Is a

Hybrid System Worth It?

This mixed system promises to fix the problems of using just one power source by making wind and solar power energy day and night, rain or shine. This guide will explain how a solar ...

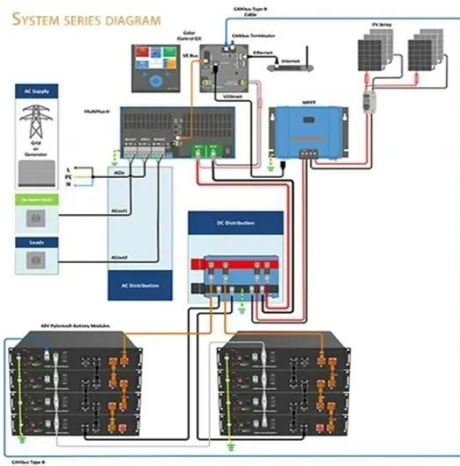
OEM service

Hot Colors:



Color can be customized
more questions just do not hesitate to contact us

LOGO Position: (Screen printing)

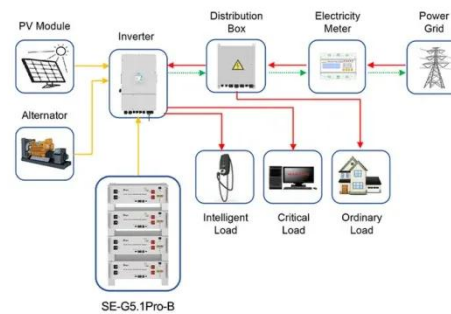


Wind Turbine and Solar Panel Combination

Integrating wind turbine with solar panel provides energy reliability, as wind and solar power often complement each other regarding availability. Below are technical details explaining how ...

Wind Turbine and Solar Panel Combination

How to Install Wind Turbine and Solar Panel Combination? The most significant thing you can do to improve the effectiveness of your renewable energy system is to install a wind turbine ...



Application scenarios of energy storage battery products

Solar + Wind Power: The Smart Home Energy Combo That Actually ...

By combining the complementary

strengths of solar panels and wind turbines, these systems provide more consistent power generation throughout the day and across seasons, ...



Wind Turbine & Solar Panel Combinations: A Guide to Hybrid Systems

Whether you're working to keep your battery bank charged or just to maximize your power production compared to your consumption on a grid-tied system, going with a wind turbine ...



How to Connect Wind Turbines and Solar Panels

How to Install Wind Turbine and Solar Panel Combination? The most significant thing you can do to improve the effectiveness of your renewable ...

How to Connect Wind Turbines and Solar Panels

Combining wind turbines and solar panels can provide energy all year

round. Discover different ways to combine these two energy sources



Wind-Solar Hybrid System for Off-Grid Power , Energy-Elege

Solar stops at dusk, but wind speeds in many regions actually increase after sunset due to thermal pressure shifts. By pairing our HAWT or VAWT turbines with your existing PV panels, you ...

Contact Us

For catalog requests, pricing, or partnerships, please visit:
<https://www.peregrine-energy.co.za>

