

PEES Power Systems

Solar photovoltaic panels parallel charging diagram



Overview

This article will provide a comprehensive guide on how to properly connect solar panels in parallel, along with a detailed diagram to help you visualize the process. First and foremost, it is important to understand the basics of parallel connection. Master your solar setup today! As an Amazon Associate, we may earn from qualifying purchases at no extra cost to you. This can be accomplished by different means, but usually for smaller systems this will be utilized via branch connector. Parallel wiring involves connecting the positive terminals of all the solar panels together and the negative terminals together.

Solar photovoltaic panels parallel charging diagram



How to Properly Connect Solar Panels in Parallel: A Complete

...

This article will provide a comprehensive guide on how to properly connect solar panels in parallel, along with a detailed diagram to help you visualize the process.

How to Connect Solar Panels in Parallel

In this guide, we'll walk you through how to connect solar panels in parallel, including wiring diagrams, safety tips, and key technical insights.

Lithium Solar Generator: \$150



Wiring Diagram for Connecting Solar Panels in Parallel

There are two main options: series wiring and parallel wiring. In this article, we'll focus on parallel wiring and provide a diagram to help you visualize how it works. Parallel wiring involves connecting the ...

How to Wire Two or More Solar Panels in Parallel

In this page we will teach you how to wire two or more solar panels in parallel in order to increase the available current for our solar power system, keeping the rated voltage unchanged.



Series Vs Parallel Solar Panels: Wiring Guide & MPPT Tips , SolarTech

Understanding series vs parallel solar panels wiring isn't just technical knowledge-it's the key to maximizing your solar investment and ensuring optimal performance for your specific situation.

Solar Panel Parallel Wiring Diagram

Among these, the solar panel parallel wiring diagram stands out for its ability to increase current while maintaining voltage. This article provides a detailed exploration of parallel wiring, its ...



How To Safely Connect Solar Panels In Series Or Parallel



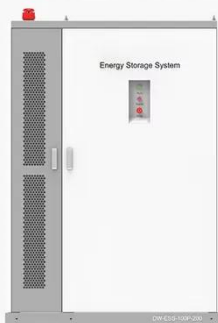
Learn how to connect solar panels in series or parallel, including wiring diagrams, voltage differences, and expert DIY tips. Master your solar setup today!

A Step-by-Step Guide to Wiring Solar Panels in ...

Learn how to wire your solar panels in parallel with a detailed diagram to maximize the output of your solar power system.



◆ PRODUCT INFORMATION ◆



-  BATTERY CAPACITY
50kWh-500kWh
-  DC VOLTAGE RANGE
400V-1000V
-  DEGREE OF PROTECTION
IP54
-  OPERATING TEMPERATURE RANGE
-10-50°C

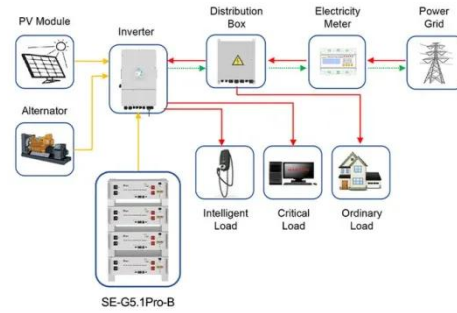
Series vs. Parallel , Renogy US

Learn about series, parallel, and series-parallel connections in solar panel systems. Understand why each connection type is used and how to set up your system accordingly.

How To Wire Solar Panels In Parallel with Diagrams & Install Guide

There are several ways to connect solar panels, depending on your specific setup

and needs: In series, the positive terminal of one panel is connected to the negative terminal of the next. ...



Application scenarios of energy storage battery products

Contact Us

For catalog requests, pricing, or partnerships, please visit:
<https://www.peregrine-energy.co.za>

