

PEES Power Systems

Solar module exports stopped



Overview

Effective April, China will completely eliminate VAT export rebates for 249 products. Beijing's decision to eliminate solar export VAT rebates tackles deep structural problems: massive oversupply, unsustainable pricing, and growing trade tensions. This policy forces industry consolidation while raising international module costs 10-15% through 2026. For years, the global market – and thus end customers in Europe – benefited from artificially low prices, driven by massive. India-US trade deal reduces solar export tariffs to 18% from up to 50%. Did our AI summary help?

Indian solar exporters have begun re-engaging with American buyers and reviving plans to set up manufacturing units in the. India is a major supplier of solar panels to the US, with 97% of its module exports, totaling 10.4 GW, destined for the US in the first nine months of 2025. Interestingly, the trade deal came weeks after the US pulled out of the International Solar Alliance, backed by India. "The. Saatvik Green Energy Ltd. 2 GW of modules in November 2024, down 12% MoM from 17.

Solar module exports stopped

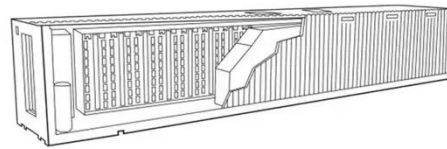


Scrapping of China's PV export tax rebate prompts panic buying and

The removal of a tax rebate for Chinese PV exports is set to drive up module prices as overseas buyers rush to secure lower-priced products.

The shifting sands of PV module supply - pv magazine USA

Most Chinese solar suppliers with production capacity in the four Southeast Asian countries under investigation (Cambodia, Malaysia, Thailand, and Vietnam) have stopped shipping to ...



? China's solar crisis escalates : Billions in losses and "Neijuan

Export advantages eliminated - are solar modules about to undergo a price reversal? On Ap, an era will end in the global photovoltaic industry. With the complete elimination of VAT ...

Chinese solar module exports down 12% MoM despite growth in the ...

Most manufacturers stopped shipments by mid-December, dropping shipment volume. The duty-free import quota will be used up by the end of 2024, and a 25% tariff will be applied to ...

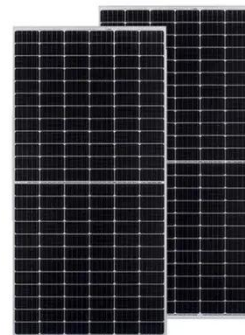


Top Indian Solar Panel Maker Sees US Trade Deal Reviving Exports

Saatvik Green Energy Ltd., one of India's top solar panel makers, said it expects the country's trade deal with the US to revive exports of solar products to the world's largest economy.

China Cancels PV Module Export Tax Rebates April 2026 , Analysis

On Janu, China announced it will eliminate VAT export rebates for solar products effective Ap. This policy shift ends over a decade of export subsidies and marks a turning point for ...



India-US Trade Deal: Boost for Solar Exports & Energy

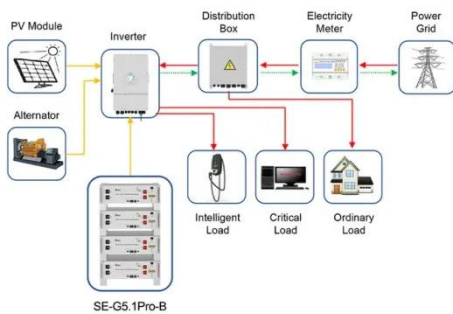


Flexibility

India US Trade Deal: Explore how the India-US trade deal is set to enhance solar exports and provide greater flexibility for Indian refiners by replacing Russian crude oil. Discover the ...

China to abolish solar export tax rebates in April

China will scrap value-added tax export rebates for PV products from Ap, while cutting battery rebates ahead of a full phaseout, raising export costs for manufacturers and potentially



Application scenarios of energy storage battery products

Solar exporters to re-open talks with US buyers, revive

The agreement, which cuts tariffs on Indian goods to 18 percent from 50 percent, is huge for domestic module manufacturers. The US absorbed nearly 97 percent of India's solar module ...

Tariff cut sparks optimism across solar panel makers and exporters

Tariff cut sparks optimism across solar

panel makers and exporters India is a major supplier of solar panels to the US, with 97% of its module exports, totaling 10.4 GW, destined for the ...



Contact Us

For catalog requests, pricing, or partnerships, please visit:
<https://www.peregrine-energy.co.za>

