

PEES Power Systems

Solar microinverter 900W



Solar microinverter 900W



Solax X1-Micro 900 , Inverters , sun.store

Specifically designed to cater to the latest and previous generation of high-power modules, these microinverters feature two independent MPPTs and robust support for input current and output power.

SolaX X1 900W Microinverter 2in1 , Alma Solar® Nr. 1 ...

Buy SolaX X1 900W Microinverter 2in1 on Alma Solar® at best price. Enjoy our Free configurator to estimate the efficiency of photovoltaic panels.



Rophie 900W Solar Micro Inverter IP67 Waterproof Grid Tie Inverter DC

Rophie 900W Solar Micro Inverter IP67 Waterproof Grid Tie Inverter DC to AC 14V Microinverter, Support combined grid connection, up to 8 units; This item is a recurring or deferred purchase.

Zendure Solar Panel Power System, Solar Power kit for Home, Micro

A: The SolarFlow Kit includes solar panels, microinverter, AB2000S Batteries, Hub 2000 and Smart Meter CT. Please consider purchasing solar extension cables with MC4 connectors if the ...



Outdoor Cabinet BESS
50 kWh/500 kWh Battery Storage System
Industrial and Commercial Energy Storage



- All In One**
Integrating battery packs
- High-capacity**
50 - 500kWh
- Degree of Protection**
IP54
- Operating Temperature Range**
-20 - 60°C (Derating above 50 °C)
- Intelligent Integration**
Integrated photovoltaic storage cabinet
- Rated AC Power**
50 - 100kW
- Altitude**
3000m (>3000m derating)

APsystems Micro Inverter Single phase Solar 600W 700W 800W 900W ...

The APSystems EZ1-M microinverter is an innovative and efficient solution for residential and commercial solar energy systems. It offers a range of features that ensure optimal performance, ease ...

Solax X1-Micro 900W Microinverter

SolaX X1-Micro 900W Microinverter: 900W microinverter with individual MPPT, high efficiency, and a compact solution for small-scale solar systems.



APsystems Microinverters

The APsystems microinverter solution

INTEGRATED DESIGNEASY TO TRANSPORT AND INSTALL,
FLEXIBLE DEPLOYMENT

combines highly efficient solar harvesting and power conversion with our high-tech data collection and communication program - giving you real-time performance ...

BENY , BENY 900W , Solar Inverter Datasheet , ENF Inverter Directory

With our 400W to 2800W microinverters, you can design the system flexibly, connecting a single panel, two panels, four panels, or eight panels to increase the output power.



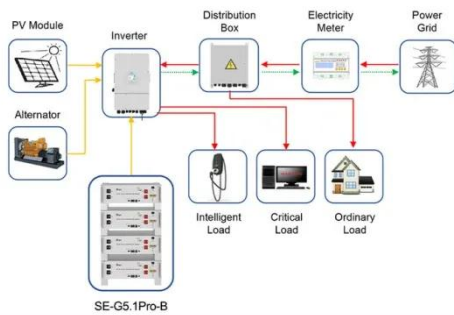
Zendure Solar Panel Power System, Solar Power kit for ...

A: The SolarFlow Kit includes solar panels, microinverter, ...

Solax X1-Micro 900W Single-phase IP67 Solar Microinverter

The Solax X1-Micro 900W Monophase IP67 Solar Microinverter is a compact

and robust solution to maximize the performance of two photovoltaic modules in residential and light commercial ...



Application scenarios of energy storage battery products

APsystems Micro Inverter Single phase Solar 600W 700W 800W ...

Installation of the EZ1-M microinverter is straightforward and hassle-free. It utilizes a plug-and-play design, allowing for easy connection between the microinverters and the solar panels. This simplifies ...

Contact Us

For catalog requests, pricing, or partnerships, please visit:
<https://www.peregrine-energy.co.za>

