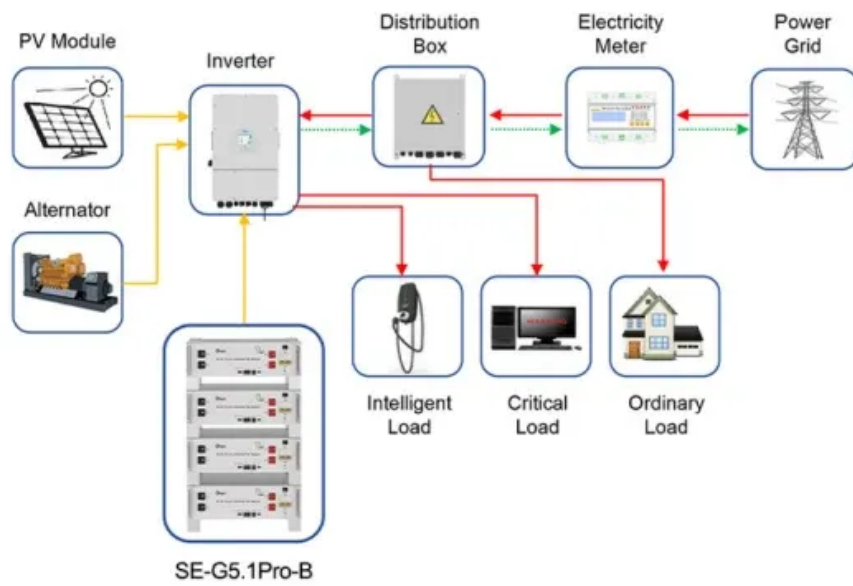


PEES Power Systems

Solar ice storage



Application scenarios of energy storage battery products



Solar ice storage



Revolutionizing Cold Storage with Solar Power

At Solar Ice Box, we specialize in cutting-edge, solar-powered refrigerated container solutions designed to revolutionize food preservation and supply chain efficiency.

SOLAR COOLING WITH ICE STORAGE

The cooling power of excess photovoltaic and off-peak grid power that is generated by the air conditioning compressor is stored in the thermal storage tank by freezing the pure water. It is ...



Solar Powered Refrigerated Shipping Containers

Our solar-powered ice maker, available in flake or block ice configurations, provides continuous ice production and storage 24/7. It is a versatile solution for businesses in the agriculture, aquaculture, ...

Ice Thermal Energy Storage for Solar & Wind Power Plants

Highly efficient ice energy storage system with capillary tube technology. Uses solar and wind energy to provide cooling for office buildings, data centers, and industrial processes



Cold Storage Solutions

This solar powered mini warehouse provides off-grid refrigeration along with freezing capacity. It can be offered with the Solar Watermaker and the Solar IceMaker to provide fresh, clean drinking water and ...

Solar Coolers & Solar Ice Chest Freezers , GoSun

Keep food and drinks cold anywhere with GoSun's solar powered cooler freezers and solar ice chests.



Solar Cooling & Ice Storage

Grid independent, ice tank storage supported solar powered cold rooms and solar cooling containers for agriculture goods, cold chains and retail hubs.



Solar Ice: How to make ice with solar power

In this article, we teach you how to set up your own solar ice system. You'll discover the required parts, the costs involved, and more!



Performance and feasibility of utilizing solar powered ice storage

In this paper, a novel solar powered ice storage system was proposed to reduce the electrical energy consumptions and harmful emissions in office and residential buildings.

The solution: solarchill technology

SolarChill refrigerators store the solar energy in ice-banks instead of lead

batteries. The electricity for the SolarChill refrigerators is supplied by photovoltaic (PV) solar panels. Solar energy powers a direct ...



Contact Us

For catalog requests, pricing, or partnerships, please visit:
<https://www.peregrine-energy.co.za>

