

PEES Power Systems

Solar container battery foreign trade docking

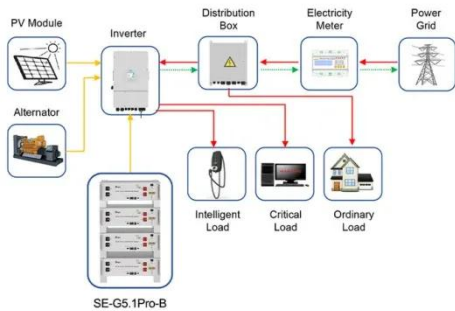


Overview

Let's face it: the world is hungry for reliable energy solutions. With countries racing to meet renewable energy targets and stabilize power grids, energy storage battery foreign trade docking has become the hottest handshake in international commerce. In 2023 alone, China's lithium-ion battery. Lithium battery exports rose from USD 8 billion to over USD 65 billion (plus 713 per cent), and solar panel exports surged from USD 11 billion to USD 44 billion (plus 300 per cent). Let's explore how this \$132 billion market operates and why your business should care. How does tariff risk affect a battery energy storage system (BESS) project?

Mitigating tariff risk in battery energy storage system (BESS). As the photovoltaic (PV) industry continues to evolve, advancements in prospect of foreign trade of solar container batteries have become critical to optimizing the utilization of renewable energy sources. Pre-fabricated containerized solutions now account for approximately 35% of all new utility-scale storage deployments worldwide. North America leads with 40% market.

Solar container battery foreign trade docking



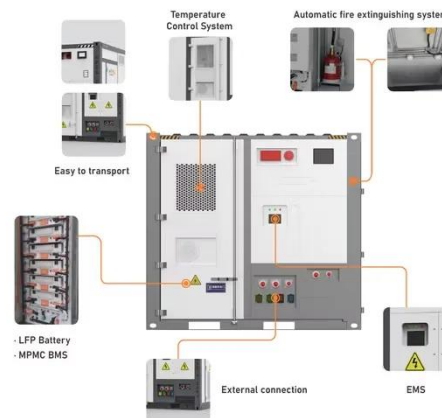
Application scenarios of energy storage battery products

Energy Storage Battery Foreign Trade Docking: A Gateway to Global

With countries racing to meet renewable energy targets and stabilize power grids, energy storage battery foreign trade docking has become the hottest handshake in international commerce.

Foreign trade development letter solar container battery

Two major areas of international trade that will remain causes of concern for energy storage projects are the application of tariffs and supply chain integrity.



ENERGY STORAGE BATTERY FOREIGN TRADE DOCKING A ...

Large-scale battery storage solutions now account for approximately 45% of all new commercial solar installations worldwide. North America leads with a 42% market share, driven by corporate ...

The 2025 Solar Smart Shipper Guide: Surviving Tariffs, UFLPA, and

Discover how solar EPCs and developers can survive 2025 tariffs, UFLPA detentions, and battery shipping chaos. Learn smart logistics strategies to cut costs, stage inventory, and keep ...



Addressing Tariffs and Trade in Energy Storage Projects

Two major areas of international trade that will remain causes of concern for energy storage projects are the application of tariffs and supply chain integrity.

Summary of lithium battery solar container foreign trade analysis ...

With the annual increase in global lithium trade volume and the more frequent flows of lithium trade across continents and countries, the lithium international trade is rapidly evolving, and competition



ENERGY STORAGE BATTERY FOREIGN TRADE DOCKING A ...



This guide provides step-by-step instructions on how to install your R-BOX-OC outdoor solar battery cabinet, including site selection, assembly, wiring, and system testing. [pdf]

ENERGY STORAGE BATTERY FOREIGN TRADE TACTICS

As global new energy storage foreign trade orders surge 78% year-over-year (BloombergNEF 2024), we're witnessing a silent revolution where battery packs are becoming the new oil barrels.



What is the prospect of foreign trade of solar container batteries

As the photovoltaic (PV) industry continues to evolve, advancements in prospect of foreign trade of solar container batteries have become critical to optimizing the utilization of renewable energy sources.

Energy storage battery container foreign trade

· The foreign trade of battery energy storage companies is a rapidly evolving sector in the global market. The key points in understanding this dynamic industry can be highlighted



Contact Us

For catalog requests, pricing, or partnerships, please visit:
<https://www.peregrine-energy.co.za>

