

PEES Power Systems

Ruipu Photovoltaic Inverter



Ruipu Photovoltaic Inverter



RUIXU LV Split Phase Hybrid Inverter , RX-12K , 48V 11.4kW , 4 ...

The inverter provides the maximum power point tracking (MPPT), battery charging/discharging circuit and full-bridge inverting circuit. It converts the solar power to grid-compliant AC power for home ...

How about Ruipu Solar Energy Company , NenPower

In addition to solar panels, Ruipu features high-performance solar inverters designed to convert DC electricity generated by solar panels into usable AC electricity for homes and businesses.

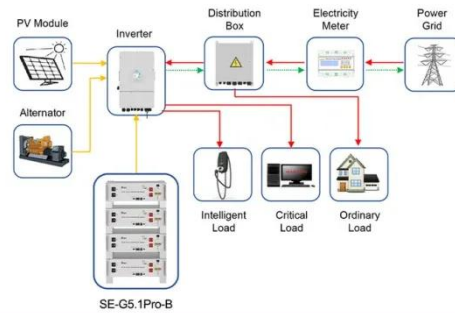


RUIXU RX-12K Split Phase Hybrid Inverter

The RUIXU RX-12K is a high-performance, all-in-one hybrid inverter designed for the U.S. split-phase grid. With a 12kW continuous output and 17.1kW surge capacity, it's ideal for whole-home backup, off ...

RUIXU RX-12K Hybrid Inverter , 12 kW Split Phase 120/240 V

The RUIXU RX-12K Hybrid Inverter is a powerful, all-in-one solar inverter designed for the U.S. split-phase market, supporting 120/240V output, whole-home backup, and flexible battery configurations.



Application scenarios of energy storage battery products



RUIXU RX-12K Split Phase Hybrid Inverter for Efficient Power

Compatible with both lithium (LiFePO4) and lead-acid batteries, this hybrid inverter offers flexible and scalable energy management. Designed for durability and easy installation, the IP65-rated enclosure ...

RUIXU 12K Split Phase Hybrid Inverter , 10 Year ...

The RUIXU RX-12K is designed for the US split-phase grid, supporting a 1.5 ...



RUIXU 120V/240V Split Phase Hybrid Inverter , 12KW Solar

Inverter

RUiXU suitable for the US market split phase grid, photovoltaic input supports 1.5DC /AC ratio, battery input 48V flexible battery configuration, Up to 11.4kW output ...



Ruixu 12kW Split-Phase Hybrid Inverter (RX-12K)

The RUiXU RX-12K is a high-performance split-phase hybrid inverter designed for residential, commercial, off-grid, and backup power applications. It seamlessly integrates solar ...



RUiXU 12K Split Phase Hybrid Inverter , 10 Year Warranty , UL1741

The RUiXU RX-12K is designed for the US split-phase grid, supporting a 1.5 DC/AC ratio for photovoltaic input and a flexible 48V battery setup. It provides up to 11.4kW output and features a 200A transfer ...

RUiXU RX-12K Split Phase Hybrid Inverter for Efficient ...

Compatible with both lithium (LiFePO4) and lead-acid batteries, this hybrid ...



RUIXU Split Phase Hybrid Inverter , 17.1KW PV INPUT , RX-12K

RUIXU RX-12K suitable for the US market split phase grid, photovoltaic input supports 1.5DC /AC ratio, battery input 48V flexible battery configuration, Up to 11.4kW output integrated 200A transfer Relay to ...

Contact Us

For catalog requests, pricing, or partnerships, please visit:
<https://www.peregrine-energy.co.za>

