

PEES Power Systems

Price of IP55 outdoor cabinet for Russian base stations network-connected type



Overview

Includes: locking door with gaskets and filters, 19-inch rackmount rails, wallmount brackets or hardware. Compatibility with all EIA-310 compliant 19" equipment. The front door is grounded to the frame of the enclosure. AZE's 12U Outdoor network Cabinet are designed to protect your sensitive network equipment from harsh environments, with waterproof and dustproof features to safeguard it from the elements, while still keeping the equipment secure outside. Includes: locking door with gaskets and filters, 19-inch. AZE's integrated Outdoor Telecommunication Cabinet with Air Conditioner (with sandwich panel double-wall structure design) is mainly used for wireless communication base station to house a variety of batteries and equipment, including the new generation of 4G system, communication network/network. An outdoor network cabinet is a critical infrastructure component designed to securely house and protect sensitive networking and electronic equipment in external environments. Designed for long-term reliability, it provides a controlled and secure enclosure that ensures stable operation for base stations. CYTECH's telecom enclosures are engineered to safeguard sensitive telecom and networking equipment from harsh outdoor conditions — ensuring stable operation, reliability, and performance in any environment. Our enclosures are built to withstand rain, dust, corrosion, and extreme temperatures, making them ideal for telecommunications, utilities, oil & gas, and.

Price of IP55 outdoor cabinet for Russian base stations network-com

Outdoor Base Station Cabinet



Whether deployed as a battery enclosure, telecom cabinet, or communication cabinet, Huijue ensures continuous operation, energy efficiency, and long-term protection across diverse network environments.

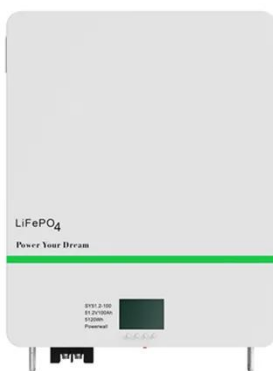
Outdoor Integrated Telecom Cabinet for Base Stations & Nodes

With IP55/IP65 protection, it ensures secure operation in harsh environments such as base stations, 5G microcells, and surveillance sites. The enclosure is built from galvanized or stainless steel with a

...



IP55 Outdoor Integrated Communication Base Station Stainless Steel



AZE 32RU 750mm Wide x 750mm Deep OUTDOOR Integrated Cabinet (22U Equipment Space and Battery Storage Space) with AC500W Air Conditioner Mounted on the Front Door IP55 Rated,Grey.

IP55 Outdoor Integrated Communication Base Station ...

AZE 32RU 750mm Wide x 750mm Deep
OUTDOOR Integrated Cabinet (22U ...



Outdoor Network Cabinet

Discover outdoor network cabinets with IP55/IP65 waterproof ratings, ideal for telecom & data centers. Powder-coated steel, 4-42U capacities, CE certified.

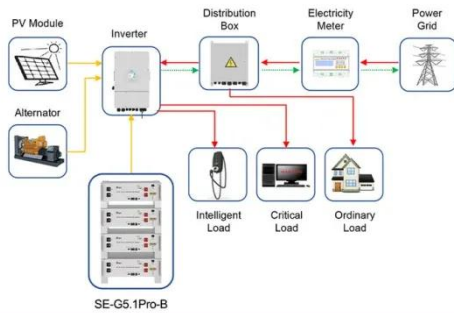
IP55 Weatherproof Enclosures , IP55 Outdoor Aluminum Enclosures

Outdoor integrated cabinet is well suited for power equipment, batteries, telecom gear, all integrated into a robust, economical package. The cabinet contains internal mounting rails, which allow installation ...



Outdoor Network Cabinet

Discover The Versatility of Outdoor Network CabinetsTypes and Applications



Application scenarios of energy storage battery products

of Outdoor Network Cabinets Features and Materials of Outdoor Cabinets Advantages of Selecting The Right Outdoor Cabinet Customization and Adaptability Conclusion The benefits of selecting an appropriate outdoor network rack cabinet are manifold. These units offer enhanced protection against weather elements, with certain models boasting weatherproof data cabinet credentials. This ensures that sensitive equipment remains operational regardless of external conditions. Additionally, the integration of outdoor See more on alibaba 5/5(24)outdoorenclosurecabinet

Outdoor Base Station Cabinet

Whether deployed as a battery enclosure, telecom cabinet, or communication cabinet, Huijue ensures continuous operation, energy efficiency, and long-term protection across diverse network environments.

Outdoor Enclosures , NEMA-Rated Telecom Cabinets , IP55, IP65

-Yes, AZE specializes in NEMA 3R, 4, 4X, IP55, and IP65 rated outdoor enclosures designed to protect your equipment in harsh environments. Our enclosures are built to withstand rain, dust, corrosion, ...



Steel Outdoor Network Cabinet for Communication Equipment Base ...



The exterior of the cabinet is mostly made of $\geq 1.5\text{mm}$ hot-dip galvanized sheet, and a 10mm insulation cotton layer is added to the refrigeration cabinet. The metal parts are treated with hot-dip galvanizing ...

IP55 Outdoor Telecom Cabinet 30RU , Weatherproof Telecom Enclosure

IP55 outdoor telecom cabinet 30RU designed for reliable protection of telecom equipment in harsh environments. Dust-resistant, water-jet protected, ideal for base stations, network and power systems.



1mwh (500kw/1mw)

AIR COOLING
ENERGY STORAGE CONTAINER



IP55 IP65 Weatherproof Outdoor Battery Enclosure Telecom Cabinet ...

It is designed for a variety of applications and can be tailored to fit your specific needs. This cost effective solution has a unique cube design that give flexibility to easily have various heights of cabinets.

12U IP55 19 inch Rack Mount

Outdoor Network Rack Cabinet

AZE's 12U Outdoor network Cabinet are designed to protect your sensitive network equipment from harsh environments, with waterproof and dustproof features to safeguard it from the elements, while ...



Contact Us

For catalog requests, pricing, or partnerships, please visit:
<https://www.peregrine-energy.co.za>

