

PEES Power Systems

**Poland transmission node uses
intelligent energy storage
cabinets with a depth of 600mm**

CE UN38.3 



Poland transmission node uses intelligent energy storage cabinets

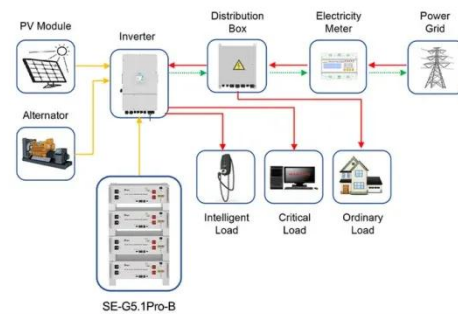


Poland's Power Grid Transformation: Energy Storage at the ...

You know, Poland's energy landscape is sort of at a tipping point. With coal still generating 70% of electricity in 2023, the government's push for 50% renewables by 2040 creates a storage capacity ...

Energy Storage System Demand and the Latest 200kWh ...

In recent years, with the acceleration of the global energy transition, Poland has emerged as a significant player in Europe's energy storage market. Whether it be residential energy storage ...



Application scenarios of energy storage battery products

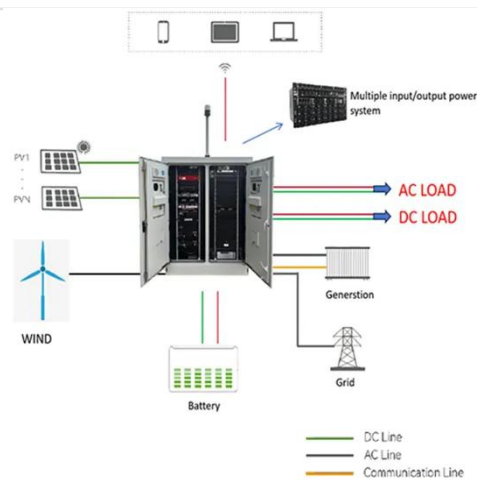
Poland selects 183 energy storage projects under \$1 billion

The requested funding for energy storage facilities, with a combined power output of over 20 GW and an energy capacity of 122 GWh, totaled nearly PLN 28 billion (\$7.7billion) - almost seven ...



Grid energy storage poland

Grid-scale energy storage projects are being deployed in other Baltic nations Lithuania and Latvia. Latvia's transmission system operator (TSO) Lithuania and Poland. Future storage plans will ...



Construction of Poland's largest energy storage facility begins

Construction of the largest energy storage facility in Poland - and one of the biggest of its kind anywhere in Europe - has begun. The site is intended to become a key part of Poland's ...

'Energy storage guarantees energy security for Poland'

A double helping of big energy storage news items in Poland, with the

government launching a capex support scheme for grid-supporting BESS and state-owned power producer PGE ...



Poland's energy storage boom is here

Poland has just rolled out one of Europe's most ambitious energy storage programmes - a EUR980 million initiative that's set to transform the country's grid infrastructure. The Polish Ministry of ...

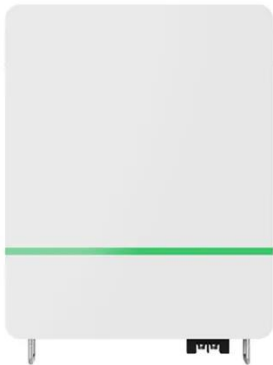
Poland's Energy Storage Cabinet Project Signed: A New Era for ...

a country that once relied on coal for 70% of its electricity is now racing to become Europe's next battery storage hub. Poland's recent energy storage cabinet project signed with global players isn't just ...



Poland energy transition storage boom

The Energy Regulatory Office said in a report last year on electricity storage in Poland that, as a result of the main power market auctions for 2021-2028 and the supplementary auctions for ...



The Rise of Energy Storage Cabinets in Poland's Power Grid ...

Enter the Polish power grid energy storage cabinet, the silent workhorse reshaping the nation's energy landscape. With 42% of Poland's electricity still coming from coal (that's like ...



Contact Us

For catalog requests, pricing, or partnerships, please visit:
<https://www.peregrine-energy.co.za>

