

## PEES Power Systems

# Photovoltaic combiner box material



## Overview

---

Materials: Combiner boxes are typically constructed from materials such as metal (painted steel or stainless steel), plastic, or fiberglass. This device plays a significant role in both residential and commercial solar installations, particularly when. The most common materials used for enclosures are: Polycarbonate is a popular choice for combiner box enclosures due to its excellent impact resistance and transparency. It can withstand high levels of stress without cracking or breaking, making it suitable for harsh outdoor environments. Modern solar power stations—from residential rooftops to 1500V industrial arrays—depend heavily on high-quality electrical enclosures, advanced protection components, and intelligent data systems to maintain long-term reliability. What is a Combiner Box for Solar Panels?

- 1.

## Photovoltaic combiner box material

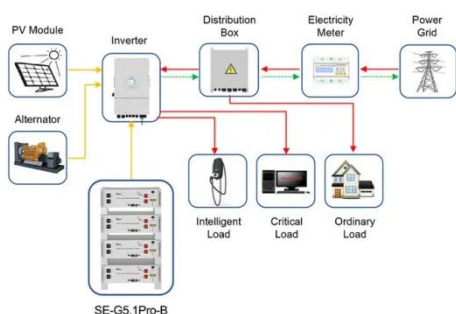


### How to Choose the Right Combiner Box for Solar

What Is a Solar Combiner Box? A solar combiner box takes the power from multiple solar panel strings and combines it into one main output. Think of it as a central hub that makes your ...

### The Ultimate Guide to Solar Combiner Boxes: From Basics to ...

Explore the comprehensive guide to PV Solar Combiner Boxes: Learn about types, components, selection criteria, installation best practices, maintenance, and advanced technologies.



Application scenarios of energy storage battery products

### Understanding PV Combiner Boxes: Design, Function, Protection, and

A complete guide to PV combiner boxes, covering structure, safety protection, monitoring, IP ratings, selection principles, and future smart trends. Learn how advanced combiner ...

## How to Choose Combiner Box for Solar Panels

By combining multiple strings into a single output, the solar panels combiner box improves the efficiency and safety of your PV system. It's a must for making wiring, overcurrent ...



## What materials are used to make a combiner box?

Combiner boxes play a crucial role in gathering the electrical output from multiple PV panels and channeling it safely and efficiently to the inverter or other electrical equipment. In this blog, I'll delve ...

## How to Build a Solar Combiner Box

Guide to DIY a DC PV Solar Combiner Box: Learn how to design and build your own reliable, efficient, and safe PV DC solar combiner box.



## How to Choose the Right Combiner Box for Solar

Guide to DIY a DC PV Solar Combiner Box: Learn how to design and build your

own reliable, efficient, and safe PV DC solar combiner box.



---

## What is a solar combiner box and why is it used in photovoltaic ...

Learn all about solar combiner boxes. Combiner boxes combine solar strings into a single power source for inverters, limiting energy loss and reducing costs. What is a solar combiner ...



---

## What you should know about PV Combiner Boxes , OneMonroe Titan

Manufacturers make them from durable materials that resist weather, dust, and moisture. Internally, they feature fuse links or circuit breakers for each input line, ensuring protection for each ...



---

## How to choose the appropriate type and material of combiner box in

Through these comprehensive considerations and reasonable configuration, we can formulate the best combiner box selection plan to improve the safety, reliability and economic benefits of the ...



## A Comprehensive Guide to Combiner Boxes in Photovoltaic Systems

Combiner boxes play an important role in photovoltaic (PV) installations. This comprehensive guide aims to shed light on the importance, functions, types and best practices of combiner boxes, unlocking the ...

## Contact Us

For catalog requests, pricing, or partnerships, please visit:  
<https://www.peregrine-energy.co.za>

