

## PEES Power Systems

# Off-grid type photovoltaic energy storage cabinet for ports



## Overview

---

An Outdoor Photovoltaic Energy Cabinet is a fully integrated, weatherproof power solution combining solar generation, lithium battery storage, inverter, and EMS in a single cabinet. It delivers clean, stable power for telecom base stations located in off-grid or unstable-grid. This is the product of combining collapsible solar panels with a reinforced shipping container to provide a mobile solar power system for off-grid or remote locations. Unlike standard solar panel containers, LZY's mobile unit features a retractable solar panel unit for quick installation. Folding. The photovoltaic storage and off-grid integrated cabinet adopts an ALL-in-One design, integrating battery PACK (including BMS), photovoltaic controller (MPPT), PCS, on-grid and off-grid switching STS, EMS, power distribution, air conditioning, and fire protection in one stop. Sustainable, high-efficiency energy storage solutions.

## Off-grid type photovoltaic energy storage cabinet for ports

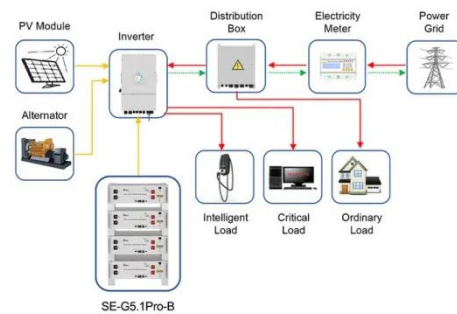
### Off-grid energy storage cabinet for solar power generation



Solar power off-grid energy storage cabinet is an independent operation of solar power generation and energy storage equipment, which integrates photovoltaic controller, inverter, and battery pack in the ...

### Energy Storage Cabinet\_SOFAR

Safety designs such as water and electricity separation, three-level fire protection + explosion venting + exhaust, liquid cooling + dehumidification design, all ensure the safety of the energy storage ...



Application scenarios of energy storage battery products

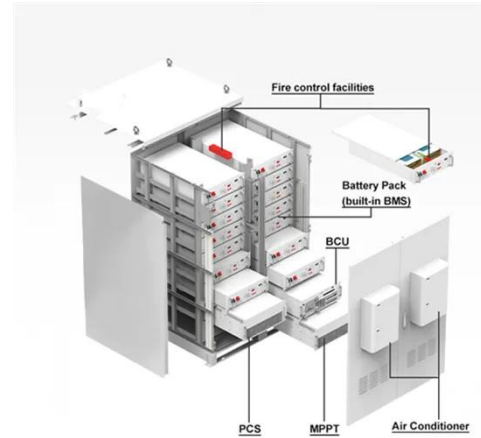


### Outdoor Cabinet Energy Storage System

With the patented technology of virtual synchronous machine features, it can realize the function of multiple remote free parallels without communication lines and off-grid switching;

## Integrated photovoltaic storage and off-grid machine/cabinet

The photovoltaic storage and off-grid integrated cabinet adopts an ALL-in-One design, integrating battery PACK (including BMS), photovoltaic controller (MPPT), PCS, on-grid and off-grid switching ...



## Mobile Solar Container Systems , Foldable PV Panels

This is the product of combining collapsible solar panels with a reinforced shipping container to provide a mobile solar power system for off-grid or remote locations.

## 50kW/100kWh outdoor All-in-one all-in-one cabinet energy storage ...

50kW/100kWh outdoor cabinet ESS solution (KAC50DP-BC100DE) is designed for small to medium size of C&I energy storage and microgrid applications. Individual pricing for large scale projects and ...



## Photovoltaic Energy Storage

## Cabinet



Integrated PV Energy Storage Cabinet solutions--modular, easy to deploy, certified to international standards, supporting on/off-grid and peak-shaving applications with global delivery and support.

---

## Outdoor Cabinet Energy Storage System (ESS) for PV Storage

The ELECOD Outdoor Cabinet ESS for PV Storage & Charging offers an integrated and scalable energy storage solution designed for photovoltaic energy generation and charging applications.



---

## Outdoor Photovoltaic Energy Cabinet, Base Station Energy Storage

An Outdoor Photovoltaic Energy Cabinet is a fully integrated, weatherproof power solution combining solar generation, lithium battery storage, inverter, and EMS in a single cabinet.

---

**UNLOCKING OFF-GRID POWER:  
THE ULTIMATE GUIDE TO  
SOLAR ENERGY ...**

Among the innovative solutions paving the way forward, solar energy containers stand out as a beacon of off-grid power excellence. In this comprehensive guide, we delve into the ...



---

## Contact Us

For catalog requests, pricing, or partnerships, please visit:  
<https://www.peregrine-energy.co.za>

