

PEES Power Systems

Nicaragua energy storage low temperature solar energy storage cabinet lithium battery



Nicaragua energy storage low temperature solar energy storage ca

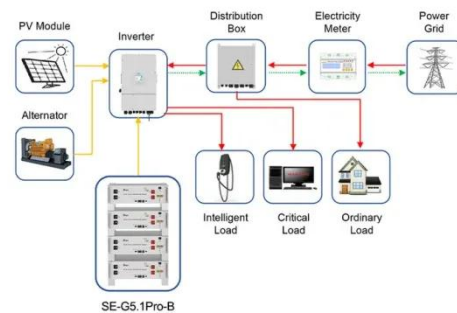


Nicaragua energy storage lithium battery

Nicaragua energy storage lithium battery
 A battery energy storage system (BESS) is an electrochemical device that charges (or collects energy) from chemistries are available or under investigation for ...

Nicaragua Energy Storage Battery Price Inquiry: Trends, Tips, and ...

The answer lies in one phrase: energy storage battery price inquiry. With projects like the San Siderio Photovoltaic Plant - a 62 MWp solar giant paired with 24MWh storage - Nicaragua's ...



Application scenarios of energy storage battery products



Nicaragua's Energy Revolution: How Photovoltaic Storage Cabinets ...

Why Nicaragua Can't Afford to Ignore Solar Energy Storage Nicaragua's energy sector stands at a crossroads. With 68% of rural communities experiencing daily power outages and ...

Nicaragua Energy Storage Lithium Battery Solutions: Powering a

Nicaragua Energy Storage Lithium Battery Solutions: Powering a Sustainable Future Nicaragua's energy revolution is charging ahead, and lithium battery technology sits at its core. From stabilizing solar ...



Nicaragua's Lithium Energy Storage Boom: What Companies ...

The Lithium Treasure Under Nicaragua's Volcanoes Nicaragua's volcanic terrain isn't just postcard material. Geologists recently found lithium-rich brines near Telica Volcano--think of it as ...

NICARAGUA PHOTOVOLTAIC ENERGY STORAGE CABINET

Solar photovoltaic energy storage cabinet station manufacturers Various manufacturers exist in the realm of energy storage cabinets, encompassing both established and emerging players, **2. these ...



Low-Temperature Lithium

Battery Solutions for Energy Storage in Nicaragua



Nicaragua's growing renewable energy sector, particularly solar and wind power, demands reliable low-temperature lithium battery systems. With temperature fluctuations in tropical climates affecting ...

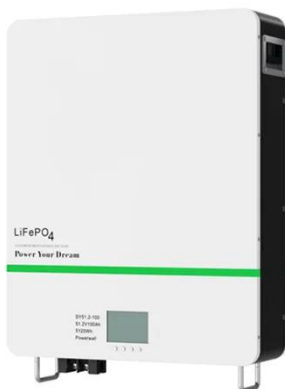
NICARAGUA LITHIUM ION BATTERY ENERGY STORAGE SYSTEMS

Battery energy storage system delivered to Nicaragua The El Jaguar photovoltaic plant, a 16 MW solar facility located in Malpaisillo, Nicaragua, has begun supplying electricity to the national grid. It ...



LOW TEMPERATURE LITHIUM BATTERY SOLUTIONS FOR ENERGY STORAGE IN NICARAGUA

Base station energy storage lithium iron battery From a technical perspective, lithium iron phosphate batteries have long cycle life, fast charge and discharge speed, and strong high-temperature ...



Battery Energy Storage

Manufacturer in León, Nicaragua: ...

León, Nicaragua, is rapidly gaining attention as a strategic location for battery energy storage manufacturing. With growing global demand for renewable energy solutions, this region offers unique ...

LPSB48V400H
48V or 51.2V



Contact Us

For catalog requests, pricing, or partnerships, please visit:
<https://www.peregrine-energy.co.za>

