

PEES Power Systems

New Energy Storage Lithium Battery

Nominal Capacity

280Ah

Nominal Energy

50kW/100kWh

IP Grade

IP54



New Energy Storage Lithium Battery

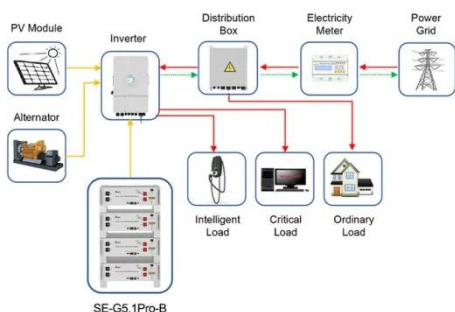


10 New Lithium Battery Companies & Startups to Watch in 2026

The lithium battery industry is rapidly evolving with innovative startups reshaping energy storage, mobility, and sustainability. From solid-state lithium-sulfur batteries to carbon-neutral ...

Global Battery Research Reshaping the Future of Energy

Global battery research is redefining energy storage through new chemistries, safer designs, and scalable technologies worldwide.



Application scenarios of energy storage battery products

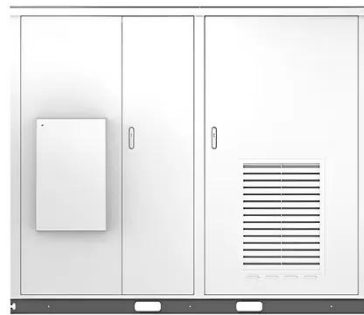
Advancing energy storage: The future trajectory of lithium-ion battery

By bridging the gap between academic research and real-world implementation, this review underscores the critical role of lithium-ion batteries in achieving decarbonization, integrating ...

Beyond Lithium: The Next Frontier In Energy Storage

Global demand for energy storage is surging. Lithium-ion leads today, but new contenders like sodium-ion, flow, and gravity systems are shaping the future grid.

Solar



New Lithium Battery Technology Set to Disrupt Storage Market

BloombergNEF expects a variety of companies to bring battery breakthroughs to the market throughout this decade. A new set of cathode, anode and electrolyte technologies are set to ...

11 New Battery Technologies To Watch In 2026

Lithium-sulfur batteries are next-generation energy storage systems that promise substantial benefits over traditional lithium-ion batteries, including higher energy density, lower ...



X-BATT Files Patent to Advance Safer Lithium-Ion Battery Storage ...



X-BATT today announced it has filed a U.S. patent application covering new materials and designs aimed at improving the safety of lithium-ion batteries during assembly, transportation, ...

10 New Battery Storage Companies in 2026 , StartUs Insights

These new battery storage companies work on solutions ranging from utility-scale BESS and second-life EV batteries to non-flammable lithium systems and solid-state designs.



Standard 20ft containers



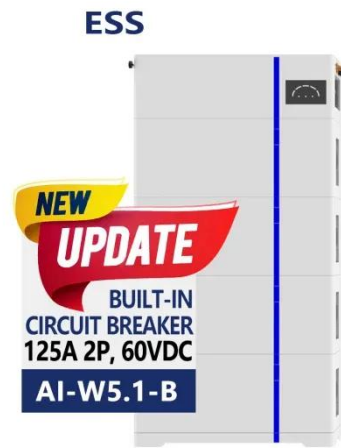
Standard 40ft containers

9 New Battery Technologies to Watch

Summary: From solid-state to graphene, new battery technologies are emerging to rival lithium-ion, promising safer materials, faster charging, lower costs and longer lifespans for devices ...

Advanced Lithium-Ion Energy Storage Battery Manufacturing in ...

Advanced Lithium-Ion Energy Storage Battery Manufacturing in the United States Due to increases in demand for electric vehicles (EVs), renewable energies, and a wide range of consumer ...



Contact Us

For catalog requests, pricing, or partnerships, please visit:
<https://www.peregrine-energy.co.za>

