

PEES Power Systems

New Energy Storage Box Manufacturers Ranking



Overview

After extensive analysis of technological prowess, market impact, and deployment scale, these ten battery energy storage system manufacturers stand at the industry's vanguard in 2025. 02 billion in 2024 and is expected to reach 114. We've analyzed market share, innovation speed, and real-world. Including Tesla, GE and Enphase, this week's Top 10 runs through the leading energy storage companies around the world that are revolutionising the space Whether it be energy that powers smartphones or even fuelling entire cities, energy storage solutions support infrastructure that acts as a. This article will mainly explore the top 10 energy storage manufacturers in the world including BYD, Tesla, Fluence, LG energy solution, CATL, SAFT, Invinity Energy Systems, Wartsila, NHOA energy, CSIQ. Meanwhile, global energy storage demand expanded across regions, driving companies to develop worldwide R&D, production.

New Energy Storage Box Manufacturers Ranking



Top 10 Battery Energy Storage Companies Driving Innovation in 2025

Explore how leading battery energy storage manufacturers are powering renewable energy, grid stability, and sustainability in 2025.

Powering Progress The Top 10 Battery Energy Storage System

After extensive analysis of technological prowess, market impact, and deployment scale, these ten battery energy storage system manufacturers stand at the industry's vanguard in 2025.



Photovoltaic energy storage box manufacturers ranking

The latest Sinovoltaics financial stability ranking of battery energy storage system producers, which is based on a balance sheet model and publicly available financial



Ranking of energy storage prefabricated box companies

Ranking of energy storage prefabricated box companies This report provides rankings of the top battery energy storage system (BESS) integrators based on MWhs shipped, broken down globally and ...



Top Containerized Energy Storage Manufacturers Shaping 2025's ...

As renewable energy adoption hits warp speed (global installations grew 35% YoY in 2024), manufacturers are racing to deliver plug-and-play solutions that make fossil fuels look like rotary ...

10 New Battery Storage Companies in 2026 , StartUs ...

Discover 10 new battery storage companies to watch in 2026 & find out how their solutions will impact your business!



New Energy Storage Box Manufacturers Ranking 2025: Who's ...

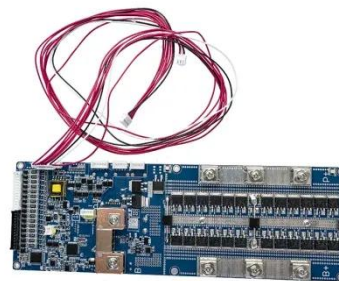
Whatever your role, this 2025



manufacturers ranking cuts through the noise. We've analyzed market share, innovation speed, and real-world performance--no marketing fluff allowed.

Top 10 Energy Storage Companies to Watch in 2025

The article discusses top 10 energy storage companies that are working on new solutions to support global energy needs.



Top 10 energy storage manufacturers in the world

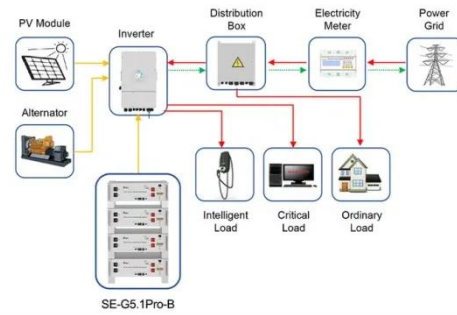
This article will mainly explore the top 10 energy storage manufacturers in the world including BYD, Tesla, Fluence, LG energy solution, CATL, SAFT, Invinity Energy Systems, Wartsila, NHOA energy, ...

Top 10: Energy Storage Companies , Energy Magazine

In this week's Top 10, Energy Digital takes a deep dive into energy storage

and profile the world's leading companies in this space who are leading the charge towards a more sustainable

...



Application scenarios of energy storage battery products

Contact Us

For catalog requests, pricing, or partnerships, please visit:
<https://www.peregrine-energy.co.za>

