

PEES Power Systems

Modular Battery Cabinet 10kW Operation and Maintenance Service



Modular Battery Cabinet 10kW Operation and Maintenance Service



Energy Storage Cabinet, energy storage system, New Energy ...

As a professional manufacturer in China, produces both energy storage cabinets and battery cell in-house, ensuring full quality control across the entire production process. Our Industrial and ...

Energy storage cabinet

Professional Consultation and Services: Huijue offers comprehensive pre-sales consulting and after-sales services, ensuring customers receive full support throughout the selection, installation, ...



SL-71373_Liebert® APM2 Modular EBC_REVA

Save these instructions This manual contains important instructions that should be followed during installation of Vertiv™ Liebert® APM2 Modular External Battery Cabinet (EBC) and accessories. ...

VRLA battery cabinets

- o Designed according to the specific UPS model for easy connections, correct recharge current and appropriate discharge rating to optimize battery life.
- o Modular hot-swap battery cabinets with string ...



Galaxy VS 200/208/220/480 V

Galaxy VS Maintenance Bypass Cabinet with Input/Output Transformer
GVSBPIT25B, GVSBPOT50B - Installation
Galaxy VS Maintenance Bypass Panel for UL - Installation

10 KWh Battery Guide 2025: Best Systems, Costs & Expert Reviews

Factor in warranty coverage, expected lifespan, installation requirements, and ongoing support when making your decision. A quality 10 kWh battery system should provide 15-20 years of ...



Stackrack Battery

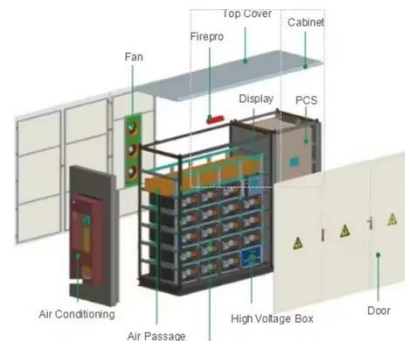
Our modular battery systems, compatible with top-tier inverters like Sol-Ark, Luxpower, and Solis, offer a fully

customizable energy storage solution for your home. With StackRack, you can power more ...



Practical Guide to Battery Module Cabinets: Where They're Used, ...

From scenarios and installation to maintenance and future trends, practical application of battery module cabinets requires solutions that are both reliable today and adaptable tomorrow.



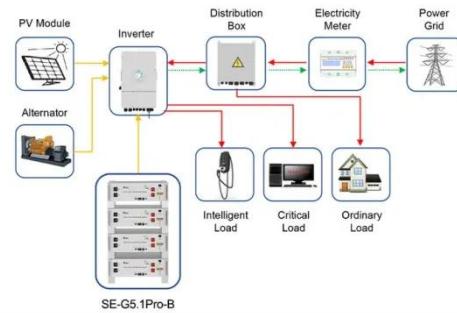
GVSUPS10KB4FS

Highly efficient, easy-to-deploy 10kW, 208V 3-phase UPS that brings best-in-class power protection and low total cost of ownership to edge, small and medium data centers, as well as to critical ...

LEGRAND KEOR MOD INSTALLATION MANUAL Pdf Download

SKILLED TECHNICIANS shall perform the

installation and ordinary maintenance operations. No part of the equipment can be repaired by the operator. Extraordinary maintenance operations must be ...



Application scenarios of energy storage battery products

Contact Us

For catalog requests, pricing, or partnerships, please visit:
<https://www.peregrine-energy.co.za>

