

PEES Power Systems

Mobile Energy Storage Vehicle System



Mobile Energy Storage Vehicle System

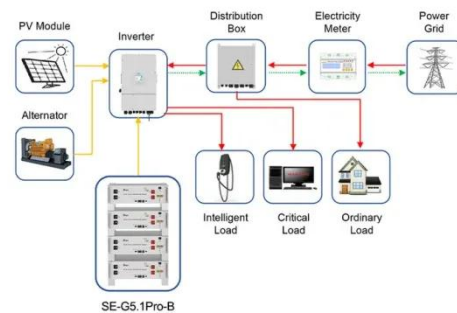


Changan Green Electric will launch mobile energy storage vehicles ...

Changan Green Electric focuses on the key project - mobile energy storage vehicle, which stands out among many energy storage solutions. This innovative product combines cutting-edge ...

Sunwoda launches 10meter mobile energy storage vehicle with ...

From a safety perspective, Sunwoda mobile energy storage vehicles have adopted multiple safety designs from sub-components to the entire system to ensure that the mobile energy ...



Application scenarios of energy storage battery products



Mobile Energy Storage Vehicle

Mobile Energy Storage Vehicle To address the charging challenges of electric vehicle (EV) energy supplementation--such as insufficient power resources, site constraints, mid-to-long-distance range ...

Mobile Energy Storage Systems: A Grid-Edge Technology to ...

Increase in the number and frequency of widespread outages in recent years has been directly linked to drastic climate change necessitating better preparedness for outage mitigation. ...



Mobile energy storage technologies for boosting carbon neutrality

To date, various energy storage technologies have been developed, including pumped storage hydropower, compressed air, flywheels, batteries, fuel cells, electrochemical capacitors ...

An allocative method of stationary and vehicle-mounted mobile energy

This article proposes an integrated approach that combines stationary and vehicle-mounted mobile energy storage to optimize power system safety and stability under the conditions of limiting ...



Sunwoda launches the world's first 10-metre, 2 MWh mobile

energy

Sunwoda's MESS 2000 mobile energy storage vehicle redefines the role of mobile power--evolving from a tool for emergencies to a key player in everyday energy supply.



Mobile Energy Storage System , Pulsar Industries

Pulsar's mobile battery energy storage units combine advanced lithium-ion or LiFePO4 batteries, smart inverters, and intelligent control systems into a rugged, transportable platform. These self-contained ...



Mobile Energy Storage Systems. Vehicle-for-Grid Options

The main component of an electric vehicle is its traction battery. Only chemical energy-storage systems are used in electric vehicles. This limited technology portfolio is defined by the uses ...



Mobile energy storage and EV charging solution

Fellten, a leader in battery pack manufacturing and energy storage innovation, announces the launch of the Charge Qube, a rapidly deployable, modular Mobile Battery Energy ...



Contact Us

For catalog requests, pricing, or partnerships, please visit:
<https://www.peregrine-energy.co.za>

