

PEES Power Systems

Huawei s four major energy storage projects



Overview

Huawei's energy storage project provides innovative solutions to modern energy challenges, delivering 1. Enhanced grid stability and reliability, 3. Support for renewable energy sources, 4. Economic benefits. Summary: Explore how Huawei's groundbreaking energy storage solutions are reshaping renewable energy integration, grid stability, and industrial power management. Discover real-world applications, performance data, and why this technology matters for global decarbonization efforts. 5GWh battery storage system of the MTerra Solar project with Terra Solar Philippines Inc.

Huawei s four major energy storage projects



Huawei Wins World's Largest Solar-Storage Project Order

Huawei will equip the project with an energy storage container battery system and auxiliary components, a battery management system, a power conversion system, and an energy ...

Saudi: Huawei to power 'world's 1st fully clean-energy destination'

By integrating bit, watt, heat, and battery (4T) technologies, Huawei is developing new energy infrastructure for power systems, electric vehicles (EVs), and the digital industry.



Accelerating PV and energy storage

To mark the growing importance of energy storage, Energy-Storage.news, its sister website PV Tech and Huawei have teamed up on a special report exploring some of the state-of-the-art ...

Empowering Renewables: The Pivotal Role and

Innovations in energy storage techniques are vital for transitioning to greener energy systems. The developments highlighted below encompass solutions to enhance the performance, ...



Huawei's Major Energy Storage Project: Powering a Sustainable Future

Summary: Explore how Huawei's groundbreaking energy storage solutions are reshaping renewable energy integration, grid stability, and industrial power management. Discover real-world applications, ...

Huawei's Third-Party Energy Storage Project: A Game-Changer for

Huawei recently announced a third-party energy storage project aimed at accelerating global renewable adoption. This collaboration highlights how cross-industry partnerships are reshaping grid stability ...



Huawei container energy

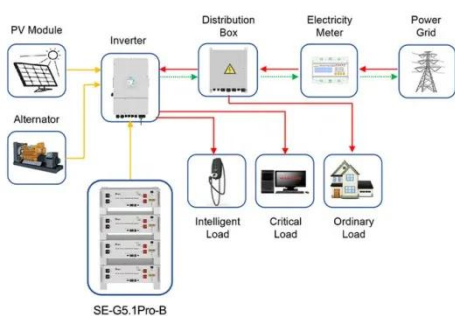
storage system ranking

Huawei's energy storage technologies extend battery life, ensure safe operation and simplify maintenance and servicing (O&M) through precise management of battery cells, packs and ...



What does Huawei's energy storage project provide? , NenPower

The main advantages of Huawei's energy storage project include substantial improvements in energy efficiency, enhanced grid stability, and significant cost savings.



Application scenarios of energy storage battery products

HUAWEI WINS MAJOR ENERGY STORAGE PROJECT

The project comprises of the following four components: (i) Sub-transmission and distribution network reconstruction, reinforcement, and operations efficiency in the major load centers of Hargeisa; (ii) ...

Contact Us

For catalog requests, pricing, or partnerships, please visit:
<https://www.peregrine-energy.co.za>

