

PEES Power Systems

How to connect the negative pole of photovoltaic panels in parallel



Overview

Starting with your first panel, connect its positive (usually marked with a red cable or "+" symbol) to the negative terminal of the second panel. When building a solar power system, connecting solar panels in parallel is a practical way to increase current while keeping voltage constant. These include PV cables, branch connectors, and a combiner box.

How to connect the negative pole of photovoltaic panels in parallel



How To Safely Connect Solar Panels In Series Or Parallel

When setting up your solar power system, one of the most crucial choices is how to connect your solar panels: in series or parallel. This impacts your system's voltage, current, ...

McGraw-Hill Connect

Home of Peer Review.



McGraw Hill Education

Sign in to McGraw Hill Education to access educational tools and resources for enhanced learning and teaching.



Connect Access Code and

Purchase FAQ

Get the answers you're looking for in this easy-to-use FAQ document that covers commonly asked questions about Connect access codes and purchasing options, including topics about temporary ...



Connecting Solar Panels in Series and Parallel: Full Wiring Guide

Starting with your first panel, connect its positive (usually marked with a red cable or "+" symbol) to the negative terminal of the second panel. Continue this pattern--positive to ...

Sign In , Connect , McGraw Hill

Forgot your password? By clicking "Sign In", I confirm that I have read and agree to the terms of the McGraw Hill Terms of Use, the Video Viewing Notice, the Consumer Purchase Terms if applicable, ...



Garmin Connect

Running, walking, cycling, swimming, skiing, triathlons - no matter how you move, you can record your active

lifestyle on Garmin Connect. It's the only online community created specifically for Garmin ...



Solar Panel Wiring Basics: How to Wire Solar Panels

Connecting the positive terminals of all panels together and repeating the same for the negative terminals will help you establish a parallel connection. In contrast, a series connection refers to ...



Connecting Photovoltaic Panels Methods and Best Practices

Parallel connection of photovoltaic panels involves connecting all positive terminals together and all negative terminals together, which increases the current while maintaining constant voltage.

How to Properly Connect Solar Panels in Parallel: A Complete

...

Learn about the solar panel parallel connection diagram and how it can help optimize your solar power system. Discover the benefits of connecting solar panels in parallel and understand the necessary ...



A Step-by-Step Guide to Wiring Solar Panels in Parallel: Diagram ...

Learn how to wire your solar panels in parallel with a detailed diagram to maximize the output of your solar power system.

How to Connect Solar Panels: Series vs. Parallel

Parallel connections and too much amperage will not be a big concern, and some people do it intentionally to maximize charging. The first option is to wire your solar panels in series.



Connect , Learning Software , McGraw Hill Higher Education

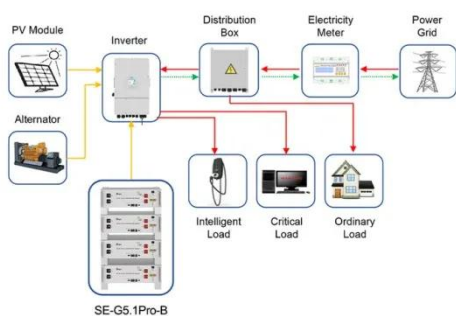
With Connect, each of your students can

enjoy a personalized digital learning experience designed to help them optimize study time and ramp up their grade potential.



Solar Panel Wiring Basics: Wiring PV Panel In Series And Parallel

Parallel wiring, on the other hand, involves connecting all the positive terminals of the panels together and all the negative terminals together. In this configuration, the voltage remains the ...



Application scenarios of energy storage battery products

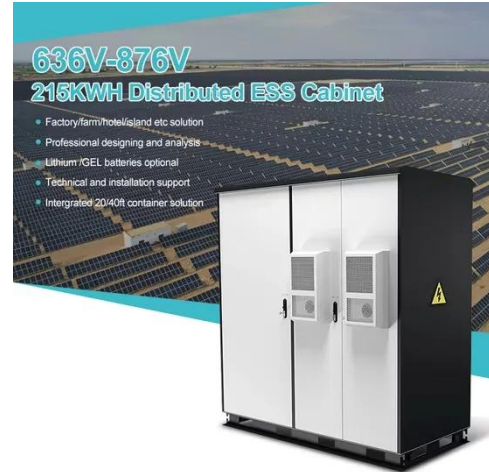
How to Connect Solar Panels in Parallel

In this guide, we'll walk you through how to connect solar panels in parallel, including wiring diagrams, safety tips, and key technical insights.

How to Wire Solar Panels in Parallel or Series

Understanding how to wire solar panels in parallel or series is crucial for

optimizing your solar power system's performance. Each method has its own set of benefits and is suitable for ...



Contact Us

For catalog requests, pricing, or partnerships, please visit:
<https://www.peregrine-energy.co.za>

