

PEES Power Systems

How to calculate labor costs for installing photovoltaic panels



Overview

One simple way to estimate your solar installation cost is to multiply the gross cost of your project by 0.5% of the total cost of a residential solar project, so this equation will get you a ballpark. Understanding the labor cost involved in solar photovoltaic (PV) installations is essential for accurate budgeting and financial planning.

How to calculate labor costs for installing photovoltaic panels



Solar Installed System Cost Analysis

First, analysts create a set of steps required for system installation. Next, they calculate the hardware, equipment, direct labor, and indirect labor costs associated with each step for a given ...

Solar Cost Calculator , Free Solar Installation Cost Estimator

Calculate the total cost of your solar installation, including equipment, labor, and potential savings through incentives. Understanding the true cost of a solar installation is essential for making informed ...



How Do I Estimate Solar Installation Costs?

When you're planning a solar panel project, it's easy to get caught up in wattages, panel brands, and green energy savings. But there's one crucial factor that often decides whether your ...

How to Calculate How Much to Get Solar Panels Installed: A Step-by ...

To calculate how much to get solar panels installed, you should assess your power needs, evaluate your roof, research local regulations, set a budget, consult with experts, and ...

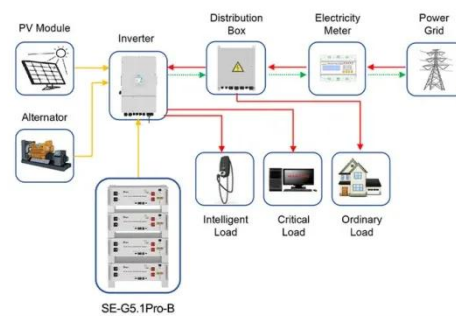


Free Solar Installation Cost Calculator Online

In this comprehensive guide, we'll walk you through how the solar installation cost calculator works, what impacts the total cost, and how to use this tool for a well-informed solar investment.

How to Calculate Solar Panel Installation Cost for Your Home and

Labor cost is 10% of the solar panel cost, which is 10% of \$22,022 or \$2,202. The total installation cost is calculated as follows: Solar panel cost (\$22,022) + Mounting accessories cost ...



Application scenarios of energy storage battery products

How Do I Estimate Solar Installation Costs?

In this article, we'll break down how



much solar panels cost versus the cost to install them, and give you the tools to estimate how much labor costs for an average solar installation.

How to Estimate PV Costs Using Local Labor and Site Risk

Estimate PV costs accurately by understanding local labor rates and assessing site-specific risks. Learn about factors influencing solar project expenses, from module prices to ...



1075KWHH ESS



How to calculate labor cost of solar photovoltaic , NenPower

Not only do labor costs need to be calculated for initial installation, but they must also take into account ongoing maintenance and potential future repairs. One significant dimension ...

7 Labor vs Material Cost Ratios in Solar Panel Projects

When you're planning a solar panel project, it's easy to get caught up in wattages, panel brands, and green

energy savings. But there's one crucial factor that often decides whether your ...



Solar Panel Installation Costs in 2025: Complete Guide

Calculate 2025 solar panel installation costs, see payback periods, and explore federal and state incentives with our interactive calculator. Off-Grid vs. Grid-Tie: Which Makes Sense? Solar ...

Contact Us

For catalog requests, pricing, or partnerships, please visit:
<https://www.peregrine-energy.co.za>

