

## PEES Power Systems

**How much power does the battery of a solar telecom integrated cabinet have**



## Overview

---

Equipped with a robust 15kW hybrid inverter and 35kWh rack-mounted lithium-ion batteries, the system is seamlessly housed in an IP55-rated cabinet for enhanced protection against water and dust, ensuring reliable performance in various environments. Adding solar or wind power cuts costs and helps the environment. AI tools manage energy better, saving money and improving efficiency. Learn about IP ratings for cabinets. Low-profile, space-saving design (15–50 kWh) featuring highly flexible mounting (wall-, pole- or floor-mount) to suit varying site topography. The solution is a hybrid approach that minimises the use of diesel generators, used only in case of emergency, while maximizes the use of solar power and batteries, boosting the performance stability and financial return required to op frastructure to go down. The success. The Outdoor Cabinet Energy Storage System is a fully integrated solution that combines safe battery storage, intelligent power management, and weatherproof protection for solar and telecom applications. Engineered for reliability and performance, it provides a durable and efficient enclosure for. A solar-powered telecom battery cabinet has many parts that store and share energy. Here's what's inside: Batteries: These store energy from solar panels.

## How much power does the battery of a solar telecom integrated cabinet

---



### Why Solar Telecom Cabinets Are Game-Changing

They have lithium-ion batteries that store power and work well in all weather. These cabinets help save money by lowering electricity bills and needing less upkeep.

---

### Integrated Solar & Battery Cabinet for Remote Telecom Systems

Designed for remote locations, it integrates solar controllers, inverters, and lithium battery packs to ensure stable and continuous power for telecom equipment, surveillance systems, and off-grid ...

#### GRADE A BATTERY

LiFePO4 battery will not burn when overcharged/over discharged, overcurrent or short circuit and can withstand high temperatures without decomposition.



---

### Telecom Cabinet Power System and Telecom Batteries calculation ...

By understanding the methods for calculating battery capacity, charge/discharge rates, and cycle life, you can optimize the performance of your telecom cabinet power system and telecom ...

## The Unsung Heroes of Connectivity Behind Outdoor Photovoltaic ...

Somewhere in the background, likely baking in the sun or enduring a blizzard, is an outdoor photovoltaic energy cabinet and a telecom battery cabinet, quietly powering our digital ...

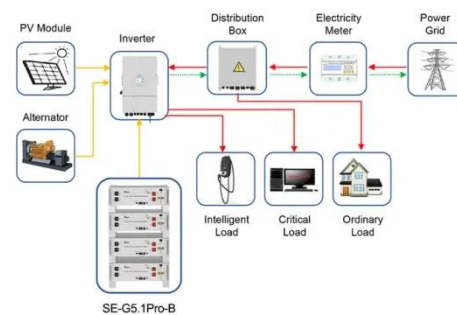


## Energy Storage Equipment, Energy storage solutions, Lithium battery

These three parts form a microgrid, using photovoltaic power generation to store electricity in the energy storage battery. When needed, the energy storage battery supplies the ...

## Outdoor Cabinet Energy Storage System

Huijue's solar battery enclosures outdoor are designed for hybrid energy networks, solar power stations, and telecom backup systems. They provide a stable and secure battery enclosure for solar system ...



Application scenarios of energy storage battery products

## Smart Power Cabinet Solutions , PDF , Electrical Grid



It integrates multiple energy sources like solar, wind, grid, and batteries into a hybrid system. The cabinet can be configured for solar, grid, and generator systems and supports future expansion. It ...

### Microgrid System Outdoor Cabinet Type 20kw 40kwh 50kw 100kwh

Payment method for 40kwh outdoor telecom cabinet This 25U Telecom Cabinet is engineered for solar battery storage, with a 12KWH capacity. It provides secure, weather-resistant protection for telecom ...



**TAX FREE**






**Product Model**  
 HJ-ESS-215A(100KW/215KWh)  
 HJ-ESS-115A(50KW 115KWh)

**Dimensions**  
 1600\*1280\*2200mm  
 1600\*1200\*2000mm

**Rated Battery Capacity**  
 215KWH/115KWH

**Battery Cooling Method**  
 Air Cooled/Liquid Cooled





### For Telecom Applications

from 170 Ah to 7000 Ah Available options include an open independent DC port for easy expansion of alternative energy sources, such as wind turbines, fuel. cells or a DC generator. The system also ...

### LZY-ZB Telecom Battery Cabinet

It is integrated with lithium battery

modules, an intelligent BMS, high-voltage protection, power distribution and thermal/fire control in a single weatherproof cabinet. Priced at 15-50 kWh capacities, ...



---

## Contact Us

---

For catalog requests, pricing, or partnerships, please visit:  
<https://www.peregrine-energy.co.za>

