

PEES Power Systems

How much does an off-grid outdoor telecom cabinet cost for middle eastern airports



Overview

Prices for outdoor telecom cabinets as of 2025 can run anywhere from \$900 to \$5,000, depending on design, materials, and integrated systems. Let's break that down: Why such a wide range?

Because not all cabinets serve the same function. But how much does one actually cost, and what are you paying for?

If you have ever wondered why prices for telecom outdoor enclosures. Telecom cabinets serve as essential enclosures for safeguarding telecommunication equipment from environmental threats like dust and moisture. Every outdoor telecom enclosure we. AZE Telecom offers top-quality weatherproof outdoor electrical enclosures and telecom cabinets. Designed to protect your equipment from rain, dust, and extreme temperatures, our waterproof and customizable solutions ensure reliability in any environment. Our outdoor cabinets are used since ever in Middle East by telecom operators, utility.

How much does an off-grid outdoor telecom cabinet cost for middle



How Much Do Outdoor Base Station Cabinets Usually Cost?

Understand how much a base station cabinet for outdoors costs-including the battery cabinet and outdoor telecom cabinet options-and what affects the pricing.

Outdoor Telecom Cabinets & Enclosures , NEMA-Rated

Our compact, lightweight AP MiniFort® weatherproof enclosures offer flexible mounting options -- pole, ground, or wall installation -- and provide cost-effective protection for virtually any outdoor telecom ...



Telecom System Integration and Outdoor Network ...

Westell offers secure, weather-tight outdoor network enclosures to protect electronic equipment for outdoor telecom networks.

The structure and cost of telecom cabinets

Telecom cabinets protect equipment with durable materials, weatherproofing, and cooling systems. Costs vary by size, material, and customization options.



Weatherproof Outdoor Electrical Enclosures , Durable Outdoor Telecom

Discover AZE Telecom's weatherproof outdoor electrical enclosures and durable outdoor cabinets. Protect your electrical and telecom equipment from harsh environments with our IP-rated, waterproof, and customizable ...

NEMA Outdoor Telecommunications Cabinets , DDB ...

DDB Unlimited manufactures NEMA outdoor cabinets to protect telecommunications, fiber optics, Wi-Fi and other electronics from the outdoors.



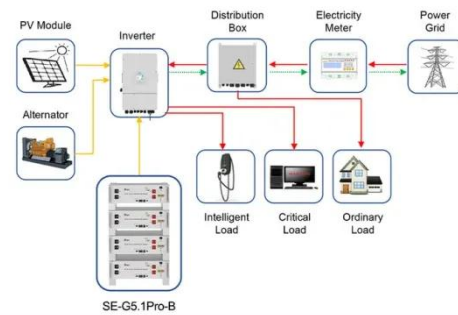
Outdoor Telecom Cabinets



ABS offers a variety of cabinet solutions in multiple designs and modules to meet the needs of any installation. Focused on faster and easier cost-effective deployment, our enclosures protect critical ...

Telecommunication Enclosures , Iceberg Cabinets

Choose indoor telecom cabinets for climate-controlled spaces. Make sure the cabinet fits your existing and future telecommunications equipment. Rack sizes usually range from 6U to 48U depending on ...



Application scenarios of energy storage battery products

 TAX FREE    

ENERGY STORAGE SYSTEM

Product Model
HJ-ESS-215A(100KW/215KWh)
HJ-ESS-115A(50KW/115KWh)

Dimensions
1600*1280*2200mm
1600*1200*2000mm

Rated Battery Capacity
215KWH/115KWH

Battery Cooling Method
Air Cooled/Liquid Cooled



How Much Does an Outdoor Telecom Cabinet Cost in 2025?

Discover how much an outdoor telecom cabinet costs in 2025, what factors affect pricing, and how features like weatherproofing, batteries, and solar integration add value.

Outdoor Cabinets , OPTIMAL CONNECTIVITY , UAE

Our outdoor cabinets are used since ever in Middle East by telecom operators,

utility companies and government entities. They provide safe operation due to dust-free interior, head-mounted passive ...



Contact Us

For catalog requests, pricing, or partnerships, please visit:
<https://www.peregrine-energy.co.za>

