

PEES Power Systems

How much does an African home energy storage system cost



Overview

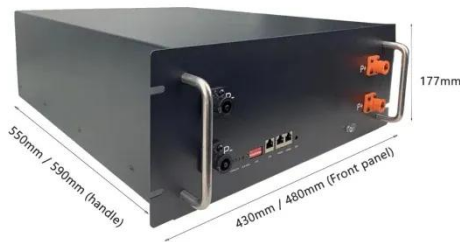
A 10 kWh unit averages \$12,000, while 20 kWh jumps to \$20,000+. Battery Chemistry: Lithium-ion (like Tesla Powerwall) costs \$800-\$1,200/kWh. Emerging solid-state batteries run 25% higher. Installation Complexity: Retrofitting existing solar?

Add \$2,000-\$4,000 for. Battery Capacity: Most homes need 10-20 kWh systems. These systems, typically based on lithium-ion, lead-acid, or flow battery technologies, allow homeowners to. Let's cut through the noise: The average U. household spends \$1,652 annually on electricity - but home energy storage systems could slash that figure by 40-60%. The catch?

Upfront costs still make many homeowners hesitate. Here's what you're really paying for: Wait, no - let's reframe that. What. The cost of a smart energy storage cabin typically ranges between 10,000 and 50,000 dollars, influenced by factors such as 1. Additionally, government incentives and rebates can lower the overall expense.

How much does an African home energy storage system cost

PUSUNG-R (Fit for 19 inch cabinet)



Understanding Home Energy Storage System Costs in Bamako

A home energy storage system in Bamako typically costs between \$3,000 and \$15,000, depending on capacity and components. While the upfront investment is significant, long-term savings and energy ...

WEST AFRICA ENERGY STORAGE SYSTEM PRICE LIST

The cost of a home energy storage system can vary widely based on several factors. On average, you can expect to pay between \$5,000 and \$15,000 for a good system.



PEES Energy Storage System

PEES Energy Storage System

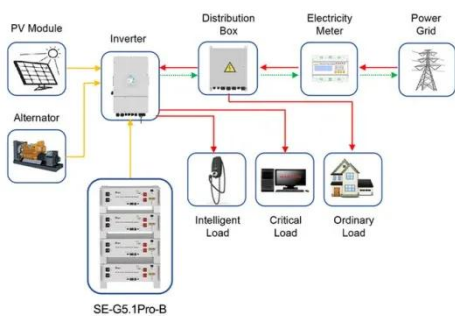


How Much Does an Apartment Energy Storage System Cost?

Want to slash your electricity bills and achieve energy independence? Apartment energy storage systems are revolutionizing how residential buildings manage power. This guide breaks down ...

Home Energy Storage Cost Breakdown , Huijue Group South Africa

Let's cut through the noise: The average U.S. household spends \$1,652 annually on electricity - but home energy storage systems could slash that figure by 40-60%. The catch? Upfront costs still make ...



Application scenarios of energy storage battery products

How Much Does an Energy Storage System Cost? Key Factors ...

Discover the real costs of energy storage systems, explore industry-specific pricing trends, and learn how to optimize your investment for residential, commercial, and industrial applications.

MUCH Definition & Meaning

The meaning of MUCH is great in quantity, amount, extent, or degree. How to use much in a sentence.



MUCH , English meaning



MUCH definition: 1. a large amount or to a large degree: 2. a far larger amount of something than you want or need....
Learn more.

How much does a residential energy storage system cost in South Africa

The average cost of a residential energy storage system in South Africa ranges from ZAR 130,000 to ZAR 300,000, depending on several factors, including system size, battery type, and ...



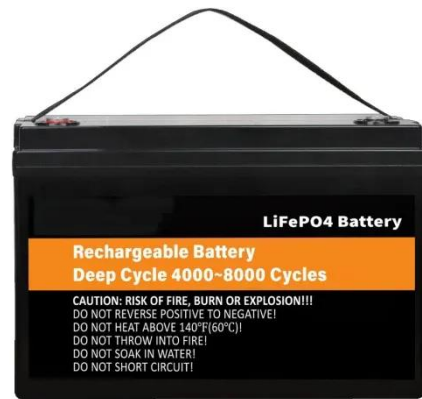
What does much mean?

Much is an adjective that refers to a large quantity, amount, or degree of something. It indicates a substantial extent or level of something, generally implying a significant or notable difference or ...

much determiner

Definition of much determiner in Oxford Advanced Learner's Dictionary. Meaning, pronunciation, picture, example

sentences, grammar, usage notes, synonyms and more.



MUCH definition and meaning , Collins English Dictionary

You use much to indicate the great intensity, extent, or degree of something such as an action, feeling, or change. Much is usually used with 'so', 'too', and 'very', and in negative clauses with this meaning.

How Much Does a Home Energy Storage Project Cost? A 2024 ...

Curious about home energy storage costs? Whether you're planning to pair solar panels with a battery or want backup power during outages, understanding the pricing factors is key.



How to Choose a Solar Energy Storage System for Your Home in Africa

It gives you energy independence, cost savings, and stability--especially in regions where the grid can't be trusted. At Blue Carbon, we specialize in modular, smart, and Africa-ready ...



HOW MUCH DOES A HOME ENERGY STORAGE SYSTEM COST

How much does 20 degrees of home energy storage cost Typically, homeowners can expect to pay between \$8,000 to \$15,000 for a complete 20 kWh battery backup system.



Africa Home Energy Storage Market Size and Forecasts 2030

High Upfront Costs of Battery Systems: The cost of home energy storage systems, especially lithium-ion batteries, can be prohibitively high for many homeowners. In AFRICA, the ...

Contact Us

For catalog requests, pricing, or partnerships, please visit:
<https://www.peregrine-energy.co.za>

