

## PEES Power Systems

# How much does a 50kW photovoltaic energy storage unit cost in a Russian port

**LPR Series 19'  
Rack Mounted**



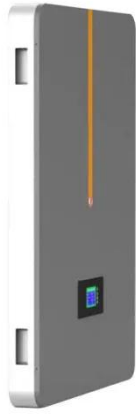
## Overview

---

The price of a 50 kW solar system varies widely depending on labor costs, equipment brands, inverter type, and whether storage batteries are included. 10 per watt →  $50,000W \times \$1$ . Off-grid systems or those with storage are 30%–60% more expensive. Note: If you need a quote for lithium battery design, please contact [solar@pvmars](mailto:solar@pvmars). Strong anti-cracking, heat spot protection How. The term 50 kW solar plant cost refers to the total investment required to build a solar power system with a 50 kilowatt capacity. This work has grown to include cost models for solar-plus-storage systems. NLR's PV cost benchmarking work uses a bottom-up.

## How much does a 50kW photovoltaic energy storage unit cost in a P

---



### How much does a 50kW photovoltaic container for Russian mines cost

Explore market trends, pricing, and applications for solar energy storage containers through 2025. Learn about key cost drivers, technological advancements, and practical uses in ...

## PVWatts Calculator

Estimates the energy production and cost of energy of grid-connected photovoltaic (PV) energy systems throughout the world. It allows homeowners, small building owners, installers and manufacturers to ...



### 50kW Solar System Cost Guide 2026

Buyers typically see a wide price range for a 50kW solar installation, driven by equipment quality, mounting type, and interconnection requirements. This article covers the cost, price ...

## MUCH , English meaning

MUCH definition: 1. a large amount or to a large degree: 2. a far larger amount of something than you want or need....

Learn more.



## much determiner

Definition of much determiner in Oxford Advanced Learner's Dictionary. Meaning, pronunciation, picture, example sentences, grammar, usage notes, synonyms and more.

## What does much mean?

Much is an adjective that refers to a large quantity, amount, or degree of something. It indicates a substantial extent or level of something, generally implying a significant or notable difference ...



## MUCH definition and meaning , Collins English Dictionary

You use much to indicate the great intensity, extent, or degree of something such as an action, feeling, or change.

Much is usually used with 'so', 'too', and 'very', and in negative clauses with ...



---

## How much does photovoltaic power storage cost? , NenPower

Photovoltaic storage systems are designed to seamlessly integrate with solar energy installations. Within these systems, solar panels transform sunlight into electricity, while storage ...



---

## MUCH Definition & Meaning

The meaning of MUCH is great in quantity, amount, extent, or degree. How to use much in a sentence.

---

## 50kVA 50kW Solar Power Plant And Price

PVMARS provides a complete turnkey PV energy storage system solution. After we

complete production, the system delivered to you can be used immediately after connections are made.

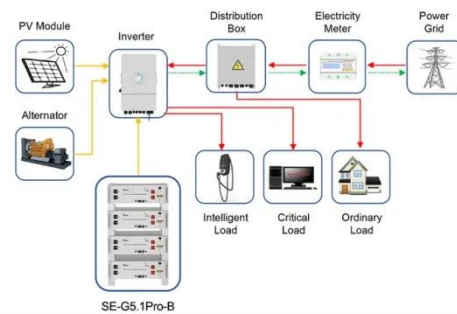


### 30KW 40KW 50KW 80KW Solar System Cost

Get factory costs of 30kw, 35kw, 40kw, 50kw, and 80kw solar system at PVMARS. We provide solar kits installation, customization, and one-stop services.

### 50 kW Solar Plant Cost in 2025: Complete Guide, ROI, and Real ...

What Does "50 kW Solar Plant Cost" Mean? The term 50 kW solar plant cost refers to the total investment required to build a solar power system with a 50 kilowatt capacity.



Application scenarios of energy storage battery products

### How Much Is A 50kw Solar Power Plant?

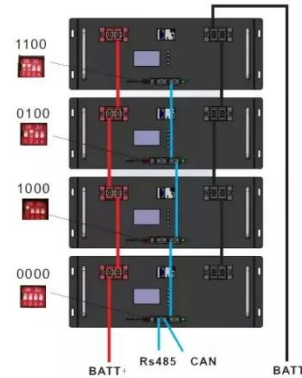
The price of a 50kw solar power plant is



affected by many factors, including the number of solar panels, installation method, location, etc. Generally speaking, the price of a 50kw solar ...

### Price quote for 50kW solar-powered container terminals at ...

Price quote for 50kW solar-powered container terminals at Russian ports How much does a 50kw solar power plant cost? 50kW solar power plant prices US\$34,195- Gel battery design. (Valid for 30 days). ...



### Solar Installed System Cost Analysis , Solar Market Research

NLR analyzes the total costs associated with installing photovoltaic (PV) systems for residential rooftop, commercial rooftop, and utility-scale ground-mount systems. This work has grown ...

**Contact Us**

For catalog requests, pricing, or partnerships, please visit:  
<https://www.peregrine-energy.co.za>

