

PEES Power Systems

How many high-quality inverter manufacturers are there

ESS



Overview

The top ten scoring inverter manufacturers were listed as follows: China-based APSystems (Yuneng Technology) and Sinexcel, followed by Ireland-based Eaton, then China's Kstar Science and Technology, Hoymiles Power, followed by Taiwan-based Delta Electronics, Switzerland-based. The top ten scoring inverter manufacturers were listed as follows: China-based APSystems (Yuneng Technology) and Sinexcel, followed by Ireland-based Eaton, then China's Kstar Science and Technology, Hoymiles Power, followed by Taiwan-based Delta Electronics, Switzerland-based. This section provides an overview for power inverters as well as their applications and principles. Also, please take a look at the list of 72 power inverter manufacturers and their company rankings. These things help you save money and make your system work better. A solar inverter is a key component in any solar power system, converting DC electricity from solar panels into AC power used by. In this article, we'll explore deeper about top 10 inverter manufacturers in the world, the manufacturers list consisted in this article include Sungrow, SMA Solar Technology, HUAWEI, TYCORUN, Enphase Energy, GROWATT, Fronius International, GoodWe, Ginlong Solis, and Sineng Electric. Image: Klaus Albleiter, Wikimedia Commons, CC BY-SA 3.0 From pv magazine Global Sinovoltaics, a quality assurance. Companies with a broad range of inverter products covering string inverters, central inverters, microinverters, hybrid inverters, and EV inverters are better positioned to meet the varied demands of different end-user segments including residential, commercial, and utility-scale installations.

How many high-quality inverter manufacturers are there



Which are the Top Manufacturing Companies of Inverter Market?

Companies with a broad range of inverter products covering string inverters, central inverters, microinverters, hybrid inverters, and EV inverters are better positioned to meet the varied ...

Top 10 Inverter Manufacturers In The World

In this article, we'll explore deeper about top 10 inverter manufacturers in the world, the manufacturers list consisted in this article include Sungrow, SMA Solar Technology, HUAWEI, ...



72 Power Inverter Manufacturers in 2026

This section provides an overview for power inverters as well as their applications and principles. Also, please take a look at the list of 72 power inverter manufacturers and their company rankings.

Top 15 Solar Inverter Manufacturers: Comparing Quality, Reliability ...

Compare top solar inverter manufacturers for quality, reliability, and warranty to choose the best option for your solar energy system



top 10 solar inverter manufacturers in the world(2025)

In this article, we explore the top 10 solar inverter manufacturers to watch in 2025, each contributing to the global shift toward smarter, more efficient energy systems.

Top 24 Solar Inverter Manufacturers

This article highlights 24 notable solar inverter manufacturers located in Nan, showcasing a range of company sizes, from small teams to thousands of employees. Many companies were founded ...



Global solar inverter manufacturer rankings - pv magazine USA



Sinovoltaics, a quality assurance services firm based in Hong Kong, has released its latest global PV Inverter Manufacturer Ranking Report, based on Altman-Z scores for 35 inverter ...

Best Solar Inverters 2025

To help review the vast range of inverter and battery systems on the market, Clean Energy Reviews has put together detailed inverter and battery charts to help consumers and ...



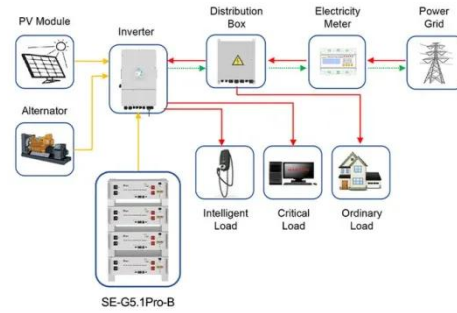
Solar Inverter Manufacturers , PV Companies List , ENF Company ...

List of Inverter manufacturers. A complete list of component companies involved in Inverter production.

Top Solar Inverter Manufacturers in the World by 2025

This article ranks the top solar inverter manufacturers in world poised to

dominate the market by 2025, while highlighting the best solar inverter brands based on technological leadership, market ...



Application scenarios of energy storage battery products

Contact Us

For catalog requests, pricing, or partnerships, please visit:
<https://www.peregrine-energy.co.za>

