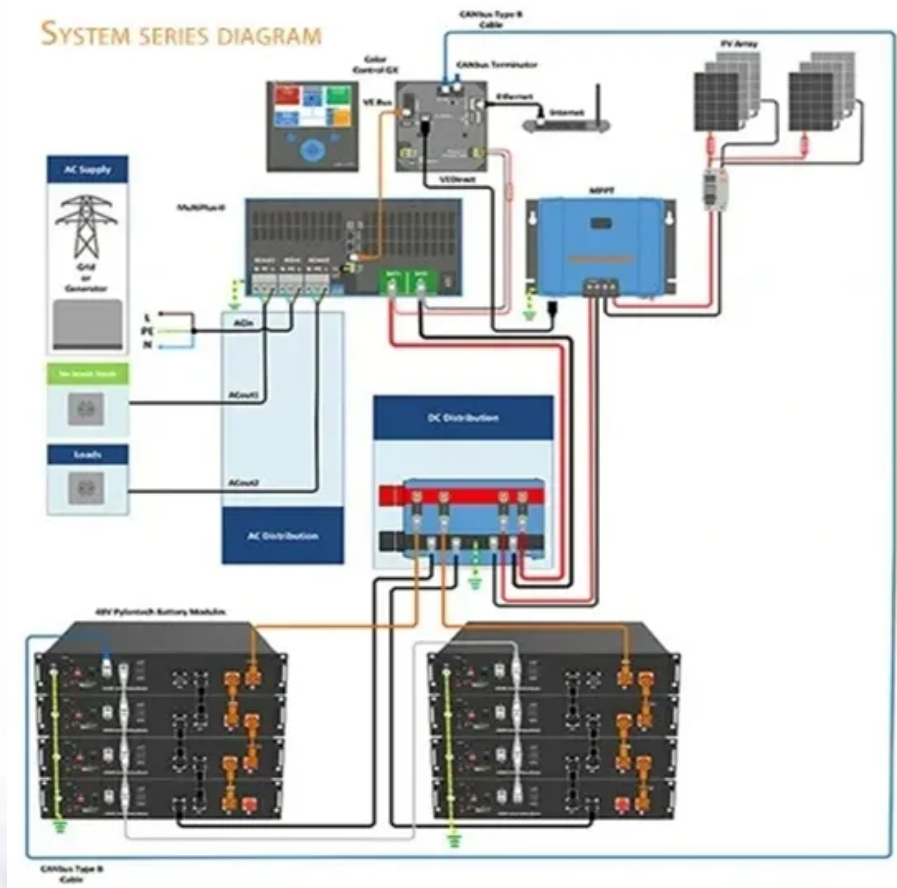


## PEES Power Systems

# How many companies are there in Port Louis energy storage container



## Overview

---

We specialize in large-scale energy storage systems, mobile power stations, distributed generation, microgrids, containerized energy storage, photovoltaic projects, photovoltaic products, solar industry solutions, photovoltaic inverters, energy storage systems. We specialize in large-scale energy storage systems, mobile power stations, distributed generation, microgrids, containerized energy storage, photovoltaic projects, photovoltaic products, solar industry solutions, photovoltaic inverters, energy storage systems. EK SOLAR's 200kWh container systems have reduced diesel generator reliance by 82% at three major logistics centers. Renewable Energy Integration With 60% of Mauritius' solar farms concentrated near Port Louis, storage containers enable: The market has shifted toward modular designs like EK. return to Port Louis infrequently. Shipping companies with activities in and out of Mauritius tend to operate second generation ships (older s velop status, existing problems. Maglev Flywheel energy storage power supply system for telecommunications Part 1: Flywheel energy storage uninterruptible. Integrated home energy storage system: lithium batteries,BMS, LCD. Rack-mounted lithium battery integrates BMS and cells,enhancing backup efficiency, safety, and reliability. Efficient, versatile. Located in Mauritius" capital, the Port Louis facility combines lithium-ion batteries with advanced energ About SunContainer Innovations: With 12 years"" experience in tropical solar installations, we""ve completed 280+ projects across Mauritius. Is Cambodia's first grid-forming Bess certified by TÜV SÜD?

Huawei Digital Power has successfully commissioned what it claims is Cambodia's.

## How many companies are there in Port Louis energy storage container

---



### What does the port louis solar container project mainly do

The Port Louis Energy Storage Power Station demonstrates how cutting-edge technology can solve real-world energy challenges. As nations worldwide pursue decarbonization goals, such projects

### Port Louis Energy Storage Industrial Park: Powering the Future ...

That's the Port Louis Energy Storage Industrial Park for you - a 400-acre wonder transforming Mauritius into Africa's renewable energy laboratory. Nestled between volcanic ...



### PORT LOUIS ENERGY STORAGE CONTAINER

Discover TLS Energy's advanced Battery Energy Storage System (BESS) containers, designed to support renewable energy integration, stabilize power grids, and reduce energy costs.

## Port Louis Energy Storage Battery Industry

The parking shed can accommodate as many as 890 vehicles, and will incorporate charging piles and energy storage to realize power storage and charging. Based on a smart management ...



## Port Louis Energy Storage Cabinet Containers: Powering Mauritius

Port Louis energy storage cabinet containers are transforming how Mauritian businesses manage power reliability and costs. From solar integration to industrial backup systems, these solutions align with ...

## Ranking of Port Louis Electrochemical Energy Storage ...

Navigating the ranking of Port Louis electrochemical energy storage companies requires understanding technical capabilities, local expertise, and post-installation support.



## Port Louis energy storage container manufacturer

As a global pathfinder, leader and expert in battery energy storage system, BYD Energy Storage specializes in the R& D, manufacturing, marketing, service and recycling of the energy storage ...



---

## Energy Storage Industry Port Louis

Febru[gasworld] - Low carbon energy storage company GES and independent storage and logistics company GPS have merged to create a major force in the energy storage sector and ...



## PORT LOUIS LITHIUM BATTERY ENERGY STORAGE PROJECT ...

Solar container lithium battery internal energy storage cabinet principle What is the difference between a battery rack and a container?The battery rack consists of the required number of modules, the ...

---

## Port louis energy storage company

Bunker One has leased physical tank storage facilities on land in Port Louis,

equal to a storage capacity of 20,000 m<sup>3</sup>  
bunker product, on a long-term basis  
and intends to establish offices and bank

...



---

## Contact Us

For catalog requests, pricing, or partnerships, please visit:  
<https://www.peregrine-energy.co.za>

