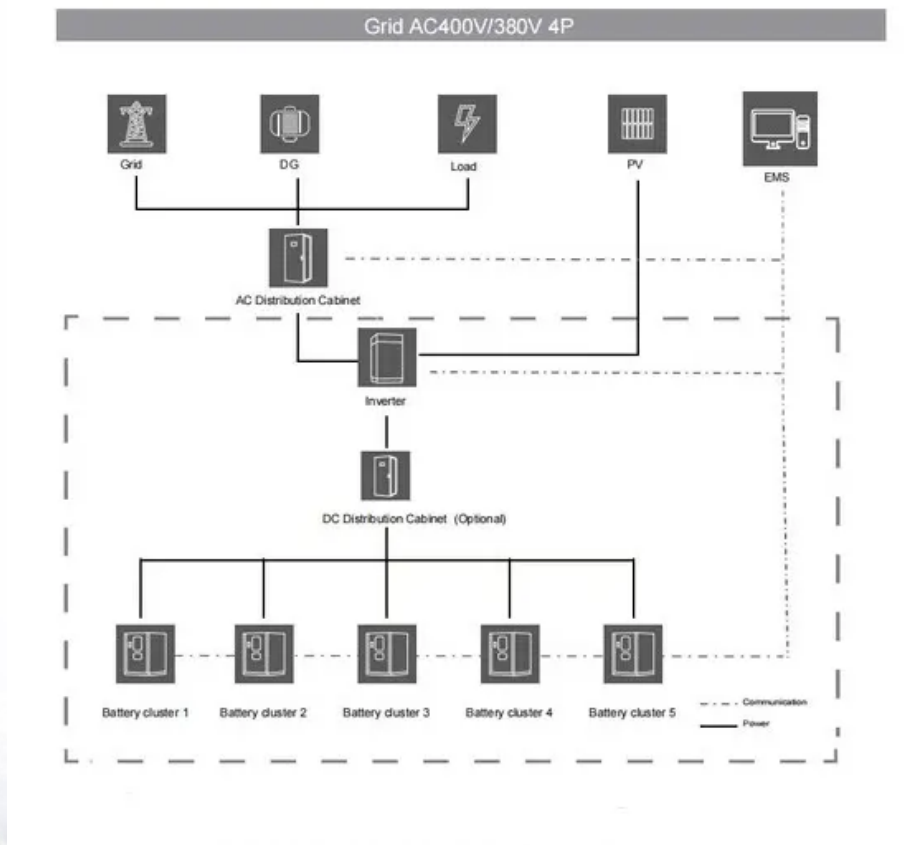


## PEES Power Systems

# How big is the best size for a photovoltaic panel to be installed



## Overview

---

Standard 60-cell panels are ideal. Often installed on flat roofs or open land with mounting systems. Most residential solar panels measure between 65 to 75 inches long and 39 to 41 inches wide, delivering power outputs ranging from 250 to 400 watts per panel. Understanding these dimensions is crucial for homeowners planning their solar installation, as panel size directly impacts system. Standard Residential Panels Optimize Space and Handling: The industry-standard 60-cell panel dimensions (65" x 39" x 1. These panels generally weigh more than 50 pounds and have a 6 x 12 grid. Another commercial type is a 96-cell. Solar panel "size" actually refers to two key measurements: These two factors work together to determine your system's efficiency, cost, and performance. MNRE (Ministry of New. When planning a solar installation for your home, RV, or off-grid cabin, one of the most important decisions you'll make is choosing the right photovoltaic panel sizes.

## How big is the best size for a photovoltaic panel to be installed

---



### **Solar Panel System Sizing Guide , Calculate Perfect Home System Size**

Getting the right solar panel system sizing is crucial for maximizing your investment and ensuring optimal energy production. Whether you're a first-time solar buyer or upgrading an existing system, ...

---

### **Perfect Solar Panel Sizes for Your Home (Expert Sizing Guide)**

A typical residential solar panel measures about 65 inches by 39 inches (roughly 5.4 feet by 3.25 feet), though slight variations exist between manufacturers. These standard dimensions ...



---

### **standard solar photovoltaic panel sizes explained**

Discover standard solar photovoltaic panel sizes. Choose the perfect fit for your installation with our expert guide. Learn more today!



---

## Solar Panel Dimensions: Sizes and What You Need to Know

Solar panels exist in different dimensions, depending on their manufacturing stage and operational efficiency, as well as the company producing them. The main solar panel groups found in ...



---

## Solar Panel Size Guide: Choose the Right Panel for Your Home

Solar panel size is a fundamental metric in any solar installation. The physical dimensions of a panel determine the number of solar cells it contains, which directly affects its ...

---

## Solar Panel Sizes: Choosing the Right Dimensions for ...

Our guide helps you pick the perfect solar panel size for any project:

residential, commercial, or industrial. No more guesswork, just maximum savings.



Modular design,  
unlimited combinations in parallel  
**BUILT-IN DUAL FIRE PROTECTION MODULE**



## Solar Panel Size & Dimensions Guide 2025 , Complete Specs

In this comprehensive guide, you'll learn everything you need to know about solar panel sizing, from standard dimensions to weight considerations, helping you determine the perfect solar ...

## Solar Panel Size Guide , Best Panel Size for Your Roof

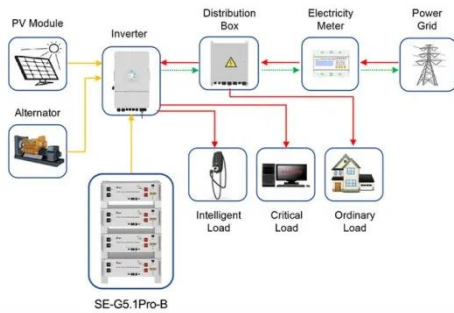
Solar cells are assembled in grids, and the most common configurations are 60-cell panels for residential use and 72-cell panels for commercial or utility use. A 60-cell panel (often seen on ...



## Understanding Photovoltaic Panel Sizes - What You Need to Know ...

When planning a solar installation for

your home, RV, or off-grid cabin, one of the most important decisions you'll make is choosing the right photovoltaic panel sizes. The size of a solar ...



Application scenarios of energy storage battery products

## Solar Panel Size: 2026 Detailed Guide

Discover how to choose the right solar panel size for your home or business. Learn key factors, calculations, and maximize your energy efficiency today!



## Contact Us

For catalog requests, pricing, or partnerships, please visit:  
<https://www.peregrine-energy.co.za>

