

PEES Power Systems

Hot-dip galvanized bracket photovoltaic bracket accessories



Hot-dip galvanized bracket photovoltaic bracket accessories

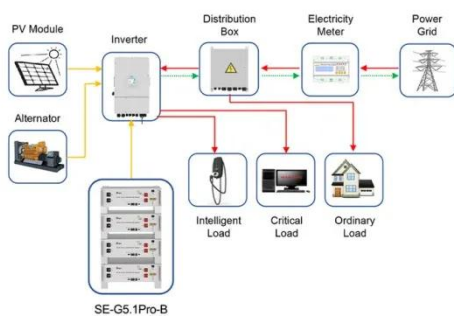


Hot-dip galvanized photovoltaic bracket - Yuantaiderun Steel

Hot-dip galvanized photovoltaic (PV) mounting is a metal structural system designed to provide support for solar PV modules, with the steel surface treated against corrosion through the hot-dip galvanizing ...

Customizable Photovoltaic Bracket with Hot DIP Galvanized ...

Hot Dip Galvanized Bracket: With a hot-dip galvanized surface for enhanced corrosion resistance, these brackets offer robust strength and stability, though at a higher cost.



Application scenarios of energy storage battery products

Ground PV Mount Hot Dip Galvanizing Supporting System FarSun

To enhance their longevity and resistance to corrosion, our brackets undergo advanced surface treatment processes, including hot-dip galvanization and a galvanized aluminum-magnesium ...

Hot Dip Galvanizing Steel Pv Photovoltaic Support Bracket Connector

Hot Dip Galvanizing Steel Pv
150*65*5.0+U49*50*3.0mm or
customized size. Base connector with
standard AISI, ASTM, GB,BS,EN,JIS,DIN or
customer's drawings. ?Materials?:Carbon
steel, ...



Solar Mounting Structure Bracket Hot-DIP Galvanized Photovoltaic

A hot-dip galvanized solar panel bracket is a support structure that uses steel as the base material and forms a zinc layer on its surface through the hot-dip galvanizing process to enhance corrosion ...

Hot dip galvanized solar base connector accessories 2

WHB& R Photovoltaic bracket accessories are used to fix or connect bracket or photovoltaic panels, it's very important in photovoltaic mounting system. According to the material, it can be divided into ...



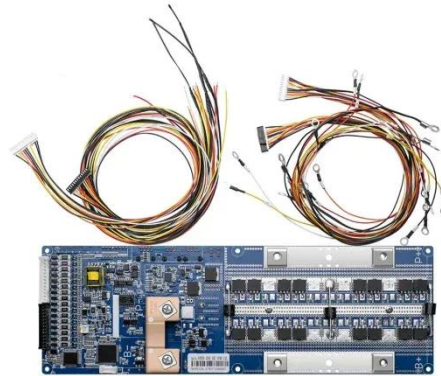


Hot-Dip Galvanized Photovoltaic Bracket-Shangang Heavy Industry

PV mounting systems mainly consist of columns, main beams, purlins, welded components, and foundations. Commonly used materials for PV mounting systems include galvanized steel, aluminum ...

Photovoltaic Bracket/ Accessories

Our brackets are made of high-quality hot-dip galvanized steel, which has strong corrosion resistance and can maintain long-term stability in harsh weather and environment, especially suitable for humid, ...



Hot Dip Galvanized Customizable Bracket Suitable for Solar ...

"Hot-dip galvanized solar mounting accessories offer superior corrosion resistance and durability. Ideal for harsh environments, these high-strength components ensure long-term stability and reliability for ...

Solar Energy System Stable Hot-DIP Galvanized Ground

Photovoltaic

It specializes in the design and production of solar photovoltaic installation structures, including roof installation systems, ground installation systems, tracking systems, BIPV, flexible systems, garages, ...



Contact Us

For catalog requests, pricing, or partnerships, please visit:
<https://www.peregrine-energy.co.za>

