

PEES Power Systems

High-rise solar panels removed after support



Overview

The simple answer is yes; solar panel arrays are designed to be modular and demountable, not permanent fixtures. This necessity might stem from planned roof maintenance, system upgrades, or preparations for selling the property. Timelines may vary depending on the scope of work and crew availability, so we recommend starting. “What happens if I've taken my solar panels off and haven't put them back on yet?

” It's a valid concern, especially after events like a major storm or roof replacement. The good news?

You may still have a strong legal case. There can be problems such as damaged wiring, inverter failure, or physical damage.

High-rise solar panels removed after support



Can Solar Panels Be Removed? The Process Explained

A complete explanation of safely removing solar panels, detailing necessary technical steps and final roof restoration logistics.

How to remove solar panels from high-rise buildings , NenPower

Having a knowledgeable workforce is indispensable when undertaking the removal of solar panels from high-rise buildings. Training programs that emphasize safety protocols, equipment ...



↑ ESS



Uninstalling, Removing, & Reinstalling Solar Panels

Our experienced technicians have extensive knowledge of solar panel removal, system upgrades, solar panel reinstallation, and system troubleshooting. Whether you're replacing your roof, ...

How to dismantle solar panels on high-rise balconies

Solar panels can be safely dismantled from high-rise balconies by following a few critical steps. These include understanding the structural integrity of the mounting system, utilizing ...



The Solar Panel Removal Process: Dos and Don'ts

After the panels have been successfully removed, they will be carefully transported and stored in a safe location. The removal company will have proper storage facilities to protect the panels from any ...

What If You Removed Your Solar Panels But Didn't Reinstall Them?

In most of these situations, homeowners removed their solar panels due to roof damage, system failure, or the need for a roof replacement and then didn't reinstall them.



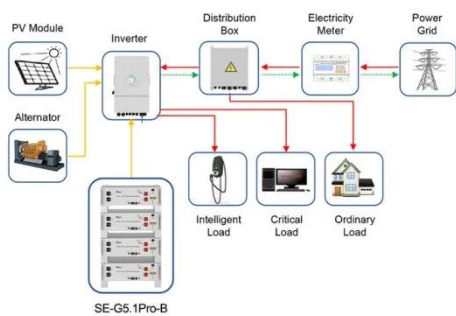
Removal & Reinstallation , Tesla Support



Removal & Reinstallation (R& R) is the process of temporarily removing solar panels or the entire system from your home and reinstalling them after reroofing, remodeling or relocation.

How To Remove Solar Panels? 2026 Expert Guide

Removing the panels allows roof repair or replacement to be done effectively without putting the solar panels in danger. Solar technologies are improving, and in the future, you can ...



Application scenarios of energy storage battery products

Solar Panel Removal and Reinstallation: A Step-by-Step Guide

With the help of Solar Medix, you have highly experienced, highly skilled and well-equipped professionals who can safely and effectively handle the removal or reinstallation of your ...

SolarOS , Help , Removing My Solar System

Learn how to safely remove a solar

system for roof repairs, upgrades, or relocation. This guide covers reasons for removal, key steps, costs, and tips for proper storage, recycling, or reinstallation of your ...



Contact Us

For catalog requests, pricing, or partnerships, please visit:
<https://www.peregrine-energy.co.za>

