

PEES Power Systems

Florida microgrids riyadh



Florida microgrids riyadh



KAPSARC research shows off-grid charging potential , EVLife

KAPSARC study explores off-grid EV charging stations in Riyadh using GIS technology, proposing microgrid systems powered by renewables to reduce grid load and emissions.

Reflecting on our Successful First Microgrid Event in Saudi Arabia!

It empowers consultants to deliver cutting-edge microgrid designs that align with #SaudiArabia& #39;s Vision 2030. A special thank you to the amazing team who made this event possible!

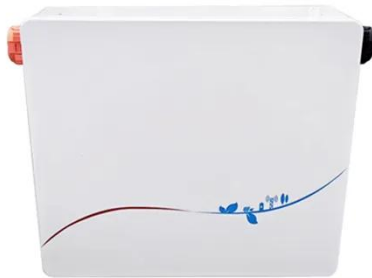


EcoStruxure(TM) Microgrids , Schneider Electric Saudi Arabia

Learn how to incorporate microgrids as part of your business strategy. Get tailored services for energy resilience that eliminate upfront costs and capital expenditures. Go all-digital and all-electric for more ...

Renewable-Energy-Based Microgrid Design and Feasibility Analysis ...

Therefore, this paper, we propose a renewable-energy-based microgrid to supply the King Saud University campus, Riyadh, which is expected to reduce the cost of the supply of electricity to ...

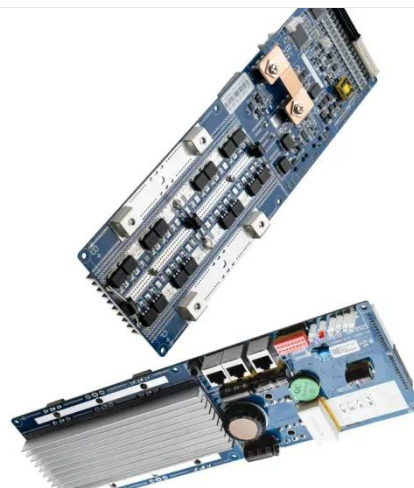


World's Largest Solar-Powered Microgrid Under Construction in Saudi ...

A groundbreaking project is underway in Saudi Arabia's Red Sea region, where construction has begun on what will become the world's largest photovoltaic-energy storage microgrid.

Overview of Saudi Arabia's Renewable Energy Microgrids

Innovations in smart battery management systems and grid integration technologies are gaining prominence as well, enabling microgrids to integrate renewable energy sources and manage ...



Renewable-Energy-Based Microgrid Design and

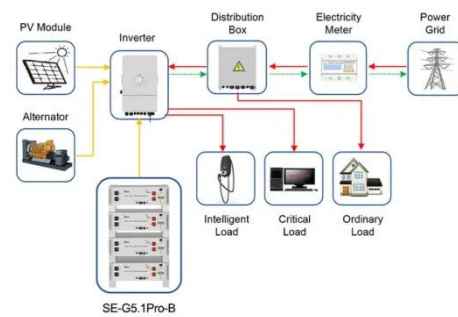
Feasibility Analysis ...

This study examines the creation of a hybrid microgrid to meet the electrical load requirements of the King Saud University campus in Riyadh by utilizing the site's solar and wind ...



Riyadh community microgrids

How Saudi Arabia is harnessing its abundance of RIYADH: With a goal of sourcing at least 50 percent of its electricity from renewables by 2030, Saudi Arabia has invested heavily in diversifying its energy ...



Application scenarios of energy storage battery products



Wind energy assessment and hybrid micro-grid optimization for

Wind resource analysis utilizing the Weibull distribution function shows that all regions exhibited Class 1 wind energy characteristics, with average annual wind power densities ranging ...

Energy storage for microgrids riyadh

This letter presents a model for coordinated optimal allocation of wind,

solar, and storage in microgrids that can be applied to different generation conditions and is integrated with the



Contact Us

For catalog requests, pricing, or partnerships, please visit:
<https://www.peregrine-energy.co.za>

