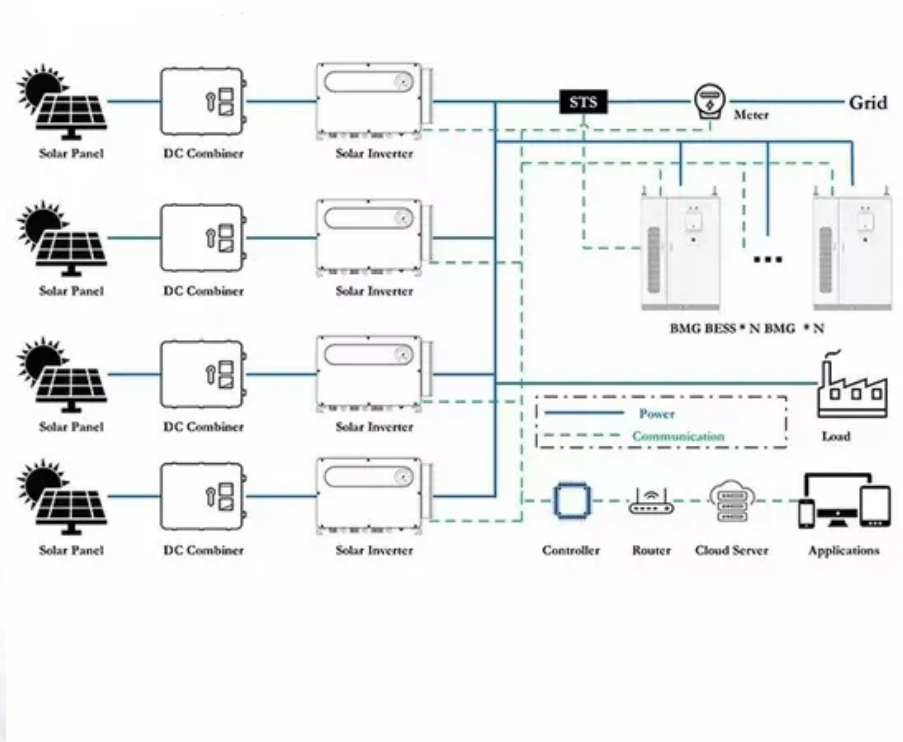


PEES Power Systems

Fixed price of smart photovoltaic energy storage cabinet



Overview

Let's cut through the noise - photovoltaic storage cabinets are rewriting energy economics faster than a Tesla hits 0-60. As of February 2025, prices now dance between ¥9,000 for residential setups and ¥266,000+ for industrial beasts. Department of Energy (DOE) Solar Energy Technologies Office (SETO) and its national laboratory partners analyze cost data for U. solar photovoltaic (PV) systems to develop cost benchmarks. Whether you're planning a solar integration project or upgrading EV infrastructure, understanding. With an 18kW PV input and 12kW AC output, it manages large energy loads and is expandable, up to ten units. Featuring a 600V DC input and three MPPTs. Compatible with 48V EG4 or other batteries. The overall expenditure can be affected significantly by 1.

Fixed price of smart photovoltaic energy storage cabinet



Home Solar Energy Storage Cabinet-Style Systems

Maximize solar energy usage, reduce energy bills, and ensure reliable backup power. Discover advanced inverters, customizable battery capacities, and remote monitoring options with HighJoule.

How much does a solar photovoltaic grid-connected cabinet cost

Basic models can start from around \$1,000 while more advanced systems may exceed \$5,000 or more, depending on the specifications and features integrated into the cabinet design. ...



New Energy Storage Charging Cabinet Price List: 2024 Cost Guide

GLASHAUS POWER - Wondering how much a modern energy storage charging cabinet costs? This comprehensive guide breaks down pricing factors, industry benchmarks, and emerging trends for ...

Energy Storage System Buyer's Guide 2025 , Solar Builder

Energy storage systems (ESS) might all look the same in product photos, but there are many points of differentiation. What power, capacity, system smarts actually sit under those enclosures? And how ...



15kW / 35kWh Hybrid Solar System Integrated Energy Storage Cabinet

Equipped with a robust 15kW hybrid inverter and 35kWh rack-mounted lithium-ion batteries, the system is seamlessly housed in an IP55-rated cabinet for enhanced protection against water and dust, ...

Latest Photovoltaic Energy Storage Cabinet Price Guide (2025 Update)

As of February 2025, prices now dance between ¥9,000 for residential setups and ¥266,000+ for industrial beasts. But here's the kicker: The real story lies in the 43% price drop since 2023, driven by ...





Solar Photovoltaic System Cost Benchmarks

All costs reported are represented two ways: Minimum Sustainable Price (MSP) and Modeled Market Price (MMP).

Microgrid System Outdoor Cabinet Type 20kw 40kwh 50kw 100kwh

Price quote for fixed type outdoor photovoltaic energy storage cabinet The price range for an outdoor energy storage cabinet typically lies between \$3,000 and \$15,000, depending on various factors, ...



Home Energy Storage (Stackble system)



- 
High Efficiency
- 
Easy installation
- 
Safe and Reliable
- 
Perfect Compatibility

Product Introduction

-  Scalable from 10kWh to 50 kWh
-  LFP battery, safest and long cycle life
-  Self-Consumption Optimization
-  Stackable design, effortless installation
-  Integrated with inverter to avoid the compatibility problem
-  Capable of High-Powered
-  Emergency-Backup and Off-Grid Function

Breaking Down Photovoltaic Energy Storage Cabinet Costs: What ...

Meet the photovoltaic energy storage cabinet - the unsung hero making solar power work through Netflix binge nights and cloudy days. Let's cut through the industry jargon and explore ...

What is the price of a small energy storage cabinet?

The price of a small energy storage cabinet varies significantly based on several factors, including brand, capacity, technology, and additional features. 1. General cost range is typically ...



Contact Us

For catalog requests, pricing, or partnerships, please visit:
<https://www.peregrine-energy.co.za>

