

PEES Power Systems

Energy storage research and development hardware



Energy storage research and development harare

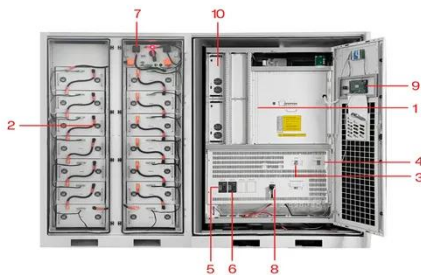
Energy Storage Research , NLR



Our systems-level approach guides basic science and research to develop and characterize high-performing materials and components with a focus on reliability, longevity, and ...

Harare energy storage system

Hydrogen energy storage is considered as a promising technology for large-scale energy storage technology with far-reaching application prospects due to its low operating cost, high energy



- 1 PCS Module
- 2 Battery room
- 3 Grid side circuit breaker
- 4 Load side circuit breaker
- 5 OPV1 side circuit breaker
- 6 OPV2 side circuit breaker
- 7 High Volt Box
- 8 BAT side circuit breaker
- 9 LCD display screen
- 10 MPPT

Harare Container Energy Storage System: Powering Zimbabwe's ...

Okay, maybe energy storage containers don't crack jokes, but Harare's containerized energy storage systems are doing something far more impressive - revolutionizing how Zimbabwe ...

Energy storage economics harare

It paves the way for the joint development of battery storage and renewable energy facilities aimed at enhancing the state's energy resilience and aligning with national sustainability goals.

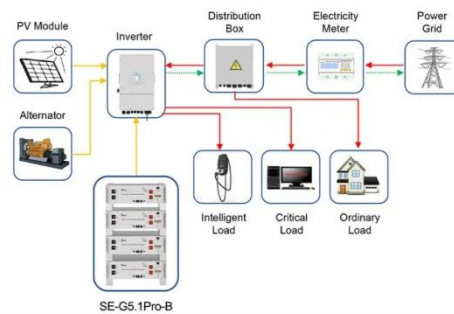


Harare Institute of Technology - Transforming Energy Access

Notably, Dr Phiri led the Lithium Battery Research Team at HIT and continues to supervise advanced research in battery energy storage systems, recycling of spent cells, and the ...

HARARE PV AND ENERGY STORAGE PROJECT

The Energy Storage Technology Collaboration Programme (ES TCP) facilitates integral research, development, implementation, and integration of energy storage technologies such as: Electrical ...



Application scenarios of energy storage battery products

Harare energy storage

Mobilising further funding into energy storage is one of the aims of the Climate Investment Funds' Global Energy



Storage Programme, which aims to mobilise over US\$2 billion in concessional climate ...

Harare Energy Storage Solutions Powering Zimbabwe's Sustainable ...

Harare, Zimbabwe's bustling capital, faces a dual challenge: rising energy demand and the need for sustainable power solutions. Energy storage systems (ESS) are emerging as a game-changer,

...



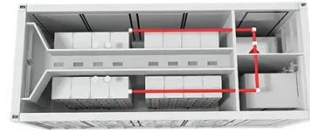
Harare energy storage industry development

The development trend of the multi-energy complementary system and the hydrogen energy industry chain is also presented, which provides a reference for the development of hydrogen production

Harare Island Energy Storage Power Station: A Game-

Changer for

Discover how the Harare Island Energy Storage Power Station is reshaping energy grids and accelerating Africa's transition to sustainable power. Explore cutting-edge solutions for renewable ...



Contact Us

For catalog requests, pricing, or partnerships, please visit:
<https://www.peregrine-energy.co.za>

