

PEES Power Systems

Energy storage cabinet communication high voltage



Energy storage cabinet communication high voltage

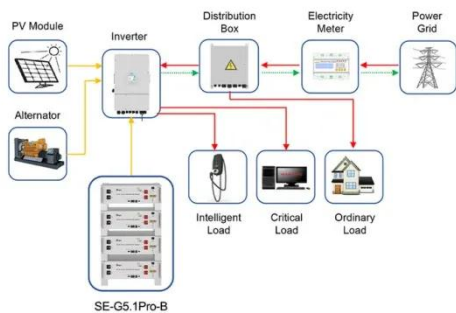


SmartGen HBMS100 Energy storage Battery cabinet

The HBMU100 battery box and HBCU100 master control box communicate with each other via CANBUS. The HBMS100 battery box collects the voltage and temperature of the single cell from battery module and is ...

What is the function of high voltage energy storage cabinet?

High voltage energy storage cabinets are specialized systems that store electricity at elevated voltage levels. These cabinets utilize advanced technology to manage energy storage and release efficiently.



Application scenarios of energy storage battery products

Inside the communication high-voltage energy storage cabinet

In this article, we explore the key features and benefits of High Voltage Battery Cabinets and their role in supporting sustainable, high-performance energy solutions.

Energy storage cabinet

Huijue's Energy Cabinet for industrial, commercial & home use. Combining efficiency, safety, and scalability, it meets your power needs with optimized usage and real-time monitoring.



High Voltage Box in Energy Storage Systems, Industry, SolarMak

A high voltage box plays a vital role in large-scale energy storage systems, ensuring safe power collection, distribution, and reliable integration with the grid.

Energy storage battery cabinet communication high voltage ...

By integrating a high-capacity High Voltage Battery Cabinet, businesses can store excess energy generated during off-peak hours or from their renewable installations and



High Voltage Cabinet Energy Storage: Powering the Future Safely and



Imagine you're scrolling through technical blogs at midnight, coffee in hand, trying to figure out why your solar farm's energy storage keeps tripping. Suddenly, high voltage cabinet energy storage pops up.

High Voltage Battery Cabinet for Energy Systems

By integrating a high-capacity High Voltage Battery Cabinet, businesses can store excess energy generated during off-peak hours or from their renewable installations and deploy it during peak times, ...



Energy Storage Cabinet High-Voltage Box Fails to Power On? A Senior ...

In the field operation of energy storage cabinets, the failure of the high-voltage box to power on is a common fault affecting system commissioning. Based on JNTech's years of field experience, this article ...

BESS CABINET

A BESS cabinet is an industrial enclosure

that integrates battery energy storage and safety systems, and in many cases includes power conversion and control systems.



Contact Us

For catalog requests, pricing, or partnerships, please visit:
<https://www.peregrine-energy.co.za>

