

PEES Power Systems

Embedded solar panel bracket diagram



- ✓ 100KW/174KWh
- ✓ Parallel up-to 3sets
- ✓ IP Grade 54
- ✓ EMS AND BMS



Embedded solar panel bracket diagram



Photovoltaic bracket installation process structure diagram

In the quest for renewable energy solutions on a global scale today, PV brackets, as the core components of solar power generation systems, play an indispensable

How to select photovoltaic bracket design diagram

Provide an architectural drawing and riser diagram for the homeowner showing the planned location for future photovoltaic and solar hot water system components.

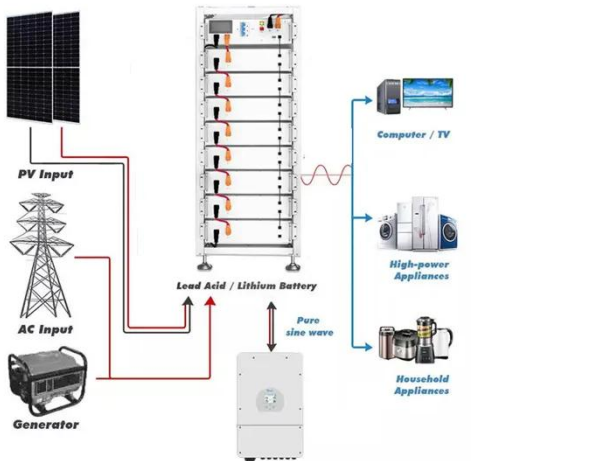


Photovoltaic Bracket Structure Explained: Diagrams & Insider Tips

While everyone oohs and ahhs over shiny solar panels, these structural workhorses literally carry the weight. Our photovoltaic bracket structure explanation diagram set reveals what engineers won't tell ...

Photovoltaic bracket clamp drawing explanation

What are solar panel brackets & clamps? In addition to wind loads, and clamping configuration. Solar panel brackets and clamps, on the other hand, are used to mount the solar panels onto the rails, and the rails ...



Solar Panel Installation Diagram

Show the layout form of solar panel on a concrete flat roof, including the arrangement of brackets, the setting of passageways, the maintenance distance and the design of inclination angles, etc.

Rooftop photovoltaic bracket design drawings

The 6-hour course covers fundamental principles behind working of a solar PV system, use of different components in a system, methodology of sizing these components and how these



Latest version of photovoltaic embedded bracket specification

Types of Solar Panels Brackets. There are different types available, including railless brackets, and top-of-pole mounts, the specific type of bracket or clamp chosen



Photovoltaic Bracket and Inclined Beam Connection Diagrams: ...

As solar installations surge globally, understanding photovoltaic bracket and inclined beam connection diagrams becomes non-negotiable for engineers and installers alike.



DIY PV System -

The back (vertical) frame member is embedded in the concrete about 20 inches. The front frame member (the angled one) is attached to the fitting via a galvanized U strap that is ...

Contact Us

For catalog requests, pricing, or partnerships, please visit:

<https://www.peregrine-energy.co.za>

