

## PEES Power Systems

# East timor off-grid solar energy storage cabinet array



## East timor off-grid solar energy storage cabinet array

---



### EAST TIMOR CABINET ENERGY STORAGE SYSTEM PROJECT ...

We develop battery modules, racks and energy storage systems designed to power industrial applications across challenging sectors, including construction, maritime, defence, and grid systems.

---

### EAST TIMOR SOLAR ENERGY STORAGE

Major projects now deploy clusters of 20+ containers creating storage farms with 100+MWh capacity at costs below \$280/kWh. Technological advancements are dramatically improving solar storage

...



### East Timor Cabinet Energy Storage System Project: Powering a

Discover how East Timor's groundbreaking energy storage initiative addresses electricity challenges while creating opportunities for renewable energy integration. Explore technical insights, regional ...

## Powering East Timor's Future: Sustainable Energy Storage Solutions

Our team has deployed 120+ containerized ESS units across Southeast Asia, each designed for easy transport and rapid deployment - perfect for East Timor's challenging terrain.



### East Timor solar kits: Impressive 5 MW Power Boost

By focusing on off-grid solar solutions, the initiative provides a decentralized and robust energy source perfectly suited for the region's geography. Renewable Energy as a Pillar with East ...

### First Solar-Powered Cold Storage Facility Inaugurated in Maliana

Completely detached from the national grid--a critical advantage in areas with intermittent power--the system is powered by a robust 60-kilowatt array of solar panels coupled with ...



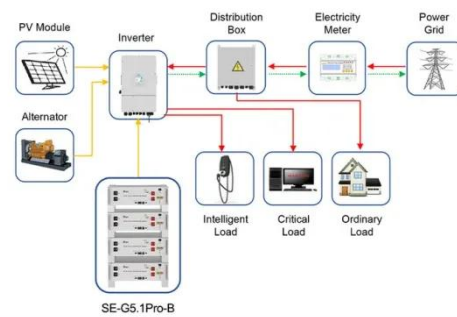
### East Timor Electricity Company energy storage system



In a landmark moment for Timor-Leste's energy future, a Power Purchase Agreement (PPA) has been officially signed for the country's first-ever solar power project integrated with a Battery Energy ...

## East Timor Photovoltaic Energy Storage: Investment Opportunities

With 40% of its population lacking reliable electricity access, the government aims to achieve 100% renewable energy adoption by 2030. This article explores actionable strategies for investors and ...



Application scenarios of energy storage battery products



## Customized energy storage cabinets on the grid side of Timor-Leste

We provide cutting-edge energy storage systems that enable efficient power management and reliable energy supply for various scenarios including grid-tied systems, off-grid applications, and backup ...

## Contact Us

---

For catalog requests, pricing, or partnerships, please visit:  
<https://www.peregrine-energy.co.za>

