

## PEES Power Systems

# Does the energy storage power station have an effect



## Overview

---

Energy storage power stations significantly enhance grid reliability and enable larger incorporation of renewable energy sources. Grid stability is paramount for avoiding blackouts and ensuring a constant supply of electricity. From stabilizing renewable energy grids to cutting operational costs for industries, these systems offer transformative solutions. But how. The application of energy storage adds a link to store electrical energy to the traditional power system, transforming the power system from a “rigid” system to a “flexible” system, greatly improving the safety, flexibility, and reliability of the power system [1-3]. Especially, facing the inherent.

## Does the energy storage power station have an effect

---



### How Grid Energy Storage Works

Yes, residential grid energy storage systems, like home batteries, can store energy from rooftop solar panels or the grid when rates are low and provide power during peak hours or outages, ...

---

### Benefits of Building Energy Storage Power Stations: A Complete Guide

Energy storage power stations are revolutionizing how we manage electricity globally. From stabilizing renewable energy grids to cutting operational costs for industries, these systems offer transformative ...



---

### A comprehensive review of the impacts of energy storage on power

Growing energy storage investments impact power markets significantly. Energy storage technologies have been recognized as an important component of future power systems due to their ...

## The Complete Guide to Energy Storage Systems: Advantages, ...

...

Energy storage systems are a powerful tool in the transition to a more sustainable, efficient, and resilient energy future. While challenges remain, such as upfront costs and lifespan ...

### Lithium Solar Generator: \$150



## Why Energy Storage is Essential for a Green Transition

Energy storage plays a crucial role in adding high levels of renewable energy to the grid and reducing the demand for electricity from inefficient, polluting power plants.

## Energy Storage Explained , Articles , PureSky Energy

Discover how energy storage is revolutionizing the clean energy landscape by stabilizing the grid, lowering costs, and making renewables viable at scale.



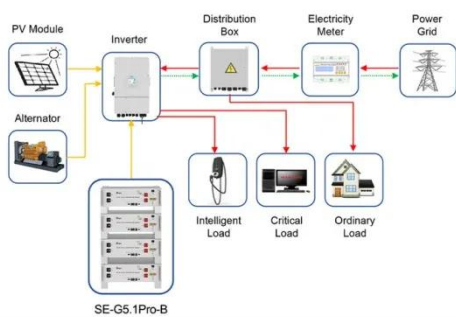
## Solar energy and the environment



Solar energy technologies and power plants do not produce air pollution or greenhouse gases when operating. Using solar energy can have a positive, indirect effect on the environment when solar ...

## Energy Storage Facts and Information , ACP , ACP

Prevents and minimizes power outages: Energy storage can help prevent or reduce the risk of blackouts or brownouts by increasing peak power supply and by serving as backup power for homes, ...



Application scenarios of energy storage battery products

## What does an energy storage power station do? , NenPower

Energy storage power stations significantly enhance grid reliability and enable larger incorporation of renewable energy sources. Grid stability is paramount for avoiding blackouts and ...

## The Role of Energy Storage in Power Systems

The application of energy storage adds a link to store electrical energy to the

traditional power system, transforming the power system from a "rigid" system to a "flexible" system, greatly ...



 **LFP 48V 100Ah**

---

## Contact Us

For catalog requests, pricing, or partnerships, please visit:  
<https://www.peregrine-energy.co.za>

