

PEES Power Systems

Does Sri Lanka need a solar system



Overview

With rising electricity demand and the urgent need to reduce carbon emissions, solar energy in Sri Lanka is now one of the most powerful tools driving the country's renewable energy transition. Solar energy is used worldwide and is increasingly popular for generating electricity or heating and desalinating water. Solar power is generated in two main ways: Photovoltaics (PV), also called solar cells. With rapid development of solar technology and a country having an abundance of sunshine, Sri Lanka has huge potential for expanding solar energy. Sri Lanka's annual solar irradiation ranges from 1,642 to 2,190 kWh per square meter (Bandara and Amarasena, 2020; Chen et al. Therefore, it is. Roshane Perera discusses policy, progress and the future of solar adoption Q: How would you describe the current state of Sri Lanka's solar energy sector?

A: Sri Lanka's solar energy sector has seen notable expansion in recent years with installed capacity currently exceeding 1,700 megawatt peak. These initiatives are part of a broader effort to reduce Sri Lanka's reliance on fossil fuels and transition to a more. Below is a deep dive into the economics, returns, challenges, and global relevance of solar adoption in Sri Lanka.

Does Sri Lanka need a solar system



Why Doesn't Sri Lanka Have Hundreds Of Thousands Of Solar Panels?

As a country located 9- degree north of the equator, Sri Lanka is blessed with abundance of sun. Sun shines over Sri Lanka with vengeance to the point of feeling burning hot for most of the ...

Sri Lanka solar power: Remarkable growth essential by 2025

The expansion of solar power in Sri Lanka is expected to have a significant impact on the country's economy and environment. By reducing reliance on imported fossil fuels, Sri Lanka can ...



Solar Energy , Sri Lanka Sustainable Energy Authority

Using solar PV to power mini-grids is an excellent way to bring electricity access to people who do not live near power transmission lines. The cost of manufacturing solar panels has plummeted ...

Sri Lanka's Solar Energy Sector: Growth, Challenges & Future

In Sri Lanka, it's the area requiring most intervention. The existing infrastructure was designed for centralised power generation; it does not accommodate the decentralised and ...



ESS



Solar System in Sri Lanka: Complete Buyer Guide

Rising electricity tariffs, frequent power cuts, and growing environmental awareness have made installing a solar system in Sri Lanka a smart and long-term investment for homes and ...

Solar Power Adoption in Sri Lanka - Costs, Benefits & Global Appeal

The case for solar in Sri Lanka is increasingly compelling. With strong solar resource, urgent need to reduce fossil fuel dependence, and evolving policy support, solar systems now offer realistic financial ...



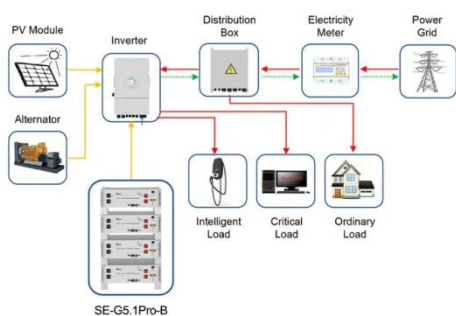
Solar industry: Future of Sri Lanka , Daily FT



There is huge potential for increasing solar energy capacity in Sri Lanka in order to meet the increasing demand for electricity. This will be beneficial to the Government and entrepreneurs as ...

The Future of Solar Energy in Sri Lanka: Trends and Innovations

This article explores emerging solar technologies, government initiatives, and how homeowners and businesses can benefit from the future of solar energy in Sri Lanka.



Application scenarios of energy storage battery products

Solar Energy in Sri Lanka: Potential, Current State, Advantages

According to the Asian Development Bank (ADB), Sri Lanka receives 4-6 kWh per square meter of solar insolation daily with around 5-7 hours of sunshine. This tropical climate allows for solar photovoltaic ...

How Solar Energy in Sri Lanka Helps Achieve Renewable

Energy ...

With rising electricity demand and the urgent need to reduce carbon emissions, solar energy in Sri Lanka is now one of the most powerful tools driving the country's renewable energy ...



Contact Us

For catalog requests, pricing, or partnerships, please visit:
<https://www.peregrine-energy.co.za>

