

PEES Power Systems

Customized Banjuer Photovoltaic IP54 Battery Cabinet



Customized Banjue Photovoltaic IP54 Battery Cabinet



INDOOR AND OUTDOOR BATTERY CABINET SYSTEMS , ICEENG ...

Customized IP54 Outdoor Photovoltaic Cabinet for Ports Galvanized IP54 Enclosure Stainless Steel IP54 Enclosure KDM manufactured IP54 enclosure to provide top-quality, easily customized cabinets ...

IP54 Enclosure, Custom Any IP Rating NEMA Enclosure and Cabinet

KDM IP54 Enclosure What Does The IP Code Mean? What Does IP54 Mean? What Is The Difference Between IP45 and Ip54? What Is Associated with The Letters After The Main IP Code? What Testing Do IP54 Enclosures undergo? Can IP54 Standards Be Converted Into Any Nema Type? Can IP54 Enclosures Be Used For Outdoor Applications? Is IP54 Waterproof? Are IP54 Enclosures Explosion-Proof? Yes, but only under certain conditions. This enclosure will protect your electrical components only if the water spray is not pressurized. However, it can be from any direction. Thus, IP54 enclosures are great for splashing water, rain, and snow. It may not be waterproof, but it is sufficiently weather-proof. See more on kdmsteel



EverExceed

Battery Cabinet, Battery Storage Cabinet, Battery Bank Rack

See More

Engineered for use with most type of battery terminal models, these cabinets can fit a wide variety of applications. This solution is completely customizable and flexible to support your application

...

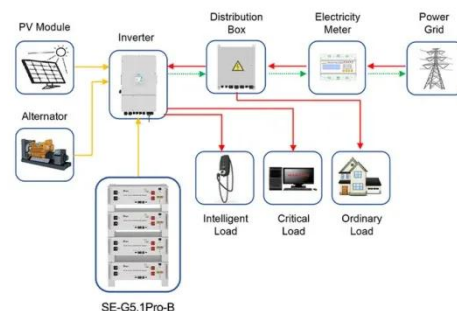


IP54 Enclosure, Custom Any IP Rating NEMA Enclosure and Cabinet

If you are looking for a custom enclosure that meets the IP54 standard, our professional designing and development team can help you a lot. Metal finishes can be customized including aluminum alloys, ...

IP54 Electrical Enclosures

Our rigorous approach to manufacturing quality and efficiency, coupled with creative and innovative designs for custom applications, ensures that your IP54 electrical enclosure or cabinet will meet or ...



Application scenarios of energy storage battery products

Battery Cabinets & Racks

Eram Power Electronics Company designs and builds custom DC enclosures for battery systems and/or chargers. A typical cabinet integrates batteries, racking and chargers into an indoor (NEMA 1 or ...



Battery Enclosures & Cabinets

Battery enclosure boxes also feature locking mechanisms that protect unauthorized people against possible electrical dangers if they happen to be tampering with your equipment. Our battery ...



100kwh ip54 photovoltaic battery cabinet

About 100kwh ip54 photovoltaic battery cabinet 100kwh ip54 photovoltaic battery cabinet represents a transformative advancement in the realm of energy solutions, particularly designed for industrial and ...

Battery Cabinet, Battery Storage Cabinet, Battery Bank Rack

Engineered for use with most type of battery terminal models, these cabinets can fit a wide variety of applications. This solution is completely customizable and flexible to support your application

...



Applications



Solar Battery Enclosures , SunWize , Power Independence

Sunwize Power & Battery Battery Enclosures are custom-made and available in various sizes and configurations for housing batteries and solar equipment.

Battery and Energy Storage - Fabricated Metals , Custom & OEM ...

We design and manufacturer each battery enclosure to meet the precise needs and requirements of YOUR project. Every Battery Enclosure is manufactured to spec, meeting size and weight load ...



Outdoor Battery Box Enclosures and Cabinets , Lithium-ion , Solar



The outdoor battery enclosure is a housing, cabinet, or box that can be used outdoor and specifically designed to store or isolate the battery and all its accessories from the external environment.

Contact Us

For catalog requests, pricing, or partnerships, please visit:
<https://www.peregrine-energy.co.za>

