

PEES Power Systems

Croatia Mobile Energy Storage Container 20ft



Croatia Mobile Energy Storage Container 20ft

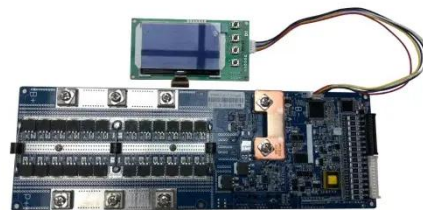


Container Energy Storage Systems

The ZBC range of battery energy storage systems come in 10 feet and 20 feet high cube containers. These containers are designed to meet the requirements for off and on-grid applications and are ...

BSI-Container-20FT-250KW-860kWh

Housed in a 20-foot container, this system integrates solar PV, energy storage, and advanced control components into a single unit, making it ideal for remote industries, construction sites, disaster ...



CROATIA ENERGY STORAGE BATTERY PROJECT

Emerging markets in Africa and Latin America are adopting mobile container solutions for rapid electrification, with typical payback periods of 3-5 years. Major projects now deploy clusters of 20+ ...

Croatia Power Storage Project Bidding: Opportunities and Strategies ...

Croatia's push toward renewable energy integration has turned it into a hotspot for power storage project bidding. With EU funding and ambitious decarbonization goals, the country offers lucrative ...



Energy Storage Equipment, Energy storage solutions, Lithium battery

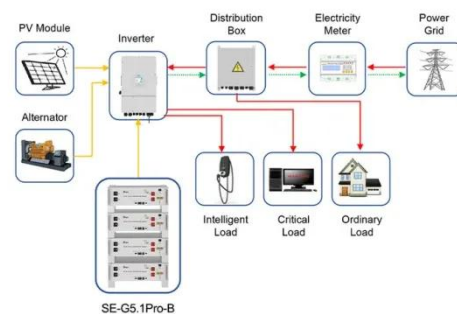
Huijue Group offers industrial and commercial energy storage, PV-BESS -EV Charging, Off-grid / On-grid Microgrid, telecom site solutions, and home solar energy storage, ensuring ...

Croatia's Containerized Energy Storage Box BESS Powering a

...

From Dubrovnik's ancient walls to modern Split factories, containerized energy storage bridges Croatia's green ambitions with grid reliability. It's not just about storing electrons - it's about

...



Application scenarios of energy storage battery products

Croatia containerized energy storage tank manufacturer ...



Find the top Energy Storage manufacturers, suppliers and companies from a list including Teledyne Gas and Flame Detection, PHILOS Co. Ltd., Solar Turbines Incorporated and more. The goal of the Call ...

20 ft Container Energy Storage System , Energy Tech

1. Remote temporary site 2. Back up and supplement energy for commercial buildings 3. Dedicated off-grid energy system design for any application 4. Disaster relief emergency energy supply This ...

Nominal Capacity
280Ah
Nominal Energy
50kW/100kWh
IP Grade
IP54



Mobile solar container quotation in Croatia 2026

This paper is a guide to mobile foldable photovoltaic containers installation and operation information and features, walking renewable energy project managers, emergency

Mobile Solar Containers in Croatia

Let me tell you about Brac Island. Their main submarine cable failed in May 2023.

A 250kW mobile container system from Rijeka kept hospitals and ferries running for 17 days. Total cost? EUR18,00 n't ...



Contact Us

For catalog requests, pricing, or partnerships, please visit:
<https://www.peregrine-energy.co.za>

