

PEES Power Systems

Construction plan for wind power 2 5mw solar battery cabinet cabinet



Construction plan for wind power 2 5mw solar battery cabinet cabinet



Energy Storage Cabinet: From Structure to Selection for Bankable

Rapid deployment of solar and wind is accelerating the need for flexible capacity. An energy storage cabinet pairs batteries, controls, and safety systems into a compact, grid-ready enclosure.

Battery Energy Storage Cabinet Construction Plan: Key Insights for

Summary: Explore the growing role of battery energy storage cabinets in modern energy systems. This guide covers design principles, industry applications, and practical tips for optimizing construction plans.



2.5MW/5MWh Liquid-cooling Energy Storage System Technical Program

The 2.5MW/5.016MWh battery compartment utilizes a battery cluster with a rated voltage of 1331.2V DC and a design of 0.5C charge-discharge rate. The energy storage batteries are

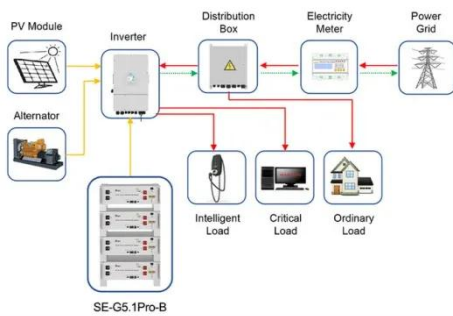
integrated within a non ...



ENERGY STORAGE CABINET INSTALLATION AND CONSTRUCTION

We are committed to excellence in solar power plants and energy storage solutions. With complete control over our manufacturing process, we ensure the highest quality standards in every solar

...



Application scenarios of energy storage battery products

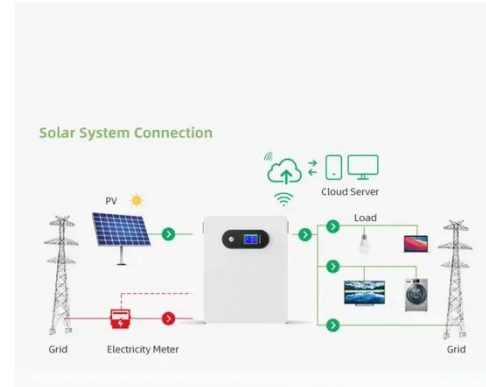
How to design a solar cabinet , NenPower

The journey to create a solar cabinet involves meticulous planning, component selection, and construction to ensure functionality and durability. Whether for residential, commercial, or

...

Battery Enclosures & Cabinets

This product is perhaps more commonly called a "solar battery box" but is also referred to as a "pole mount battery box". Some battery boxes are large enough to be considered battery cabinets and are ...



PUSUNG-R (Fit for 19 inch cabinet)



Wind & solar storage cabinet, Home Energy Storage Systems

Highjoule's wind and solar energy storage cabinets can be integrated with home energy systems to provide all-weather renewable energy. The smart lithium battery energy storage system is suitable ...

Battery Energy Storage Cabinet Construction Process: From Blueprint ...

Now, leading manufacturers bake extreme weather testing into every storage cabinet construction process - from Saharan heat simulations to Siberian cold chambers.



Step-by-Step Solar Battery Cabinet Installation Guide



Voltage range: 691.2-947.2V

>6000 cycles (100%DOD)

Rated battery capacity:
216KWH (customizable)

EMS communication:
4G/CAN/RS485

Follow this detailed guide for a smooth installation of your solar battery cabinet and maximize renewable energy use

Wind power 2 5MW energy storage battery container construction

In the field of energy storage, the 2.5MW/5.0MWh Battery Energy Storage System (BESS) solution represents a state-of-the-art integration of technology. Configured to meet project requirements with ...



Contact Us

For catalog requests, pricing, or partnerships, please visit:
<https://www.peregrine-energy.co.za>

