

PEES Power Systems

Communication with base station failed



Communication with base station failed



Base Station no longer connects to network

The factory reset of the base station is indicated by the led flashing amber after the reset button is continuously held for 10sec. If you're not getting the flashing led then the base is either busy ...

Ring Contact Sensor Not Connecting to Base Station: Complete

Ring contact sensors occasionally experience connectivity challenges that can disrupt home security monitoring. When a ring contact sensor fails to connect to the base station, users ...



13 Ring Base Station Problems Troubleshooting (Solved)

Pairing Button for LED Issues: If the top LED ring isn't spinning, press the pairing button on the back of your Base Station. These quick troubleshooting methods can help get your Ring Base ...

Unable to Pair 2 New Ring Alarm Kits (2nd Generation)

Hello everyone, I'm having trouble setting up two new Ring Alarm Kits (2nd Generation). During the setup process, both base stations fail to complete the pairing and display the following ...



13 Ring Base Station Problems Troubleshooting (Solved)

If you're experiencing communication issues with your USB data logger, base station, and shuttle, here are a few things to consider: If using Windows - Be sure that your OS is supported and up to date ...

Troubleshooting communication issues with USB data loggers, base

If you're experiencing communication issues with your USB data logger, base station, and shuttle, here are a few things to consider: If using Windows - Be sure that your OS is supported and up to date ...



Troubleshooting base station setup and static measurement

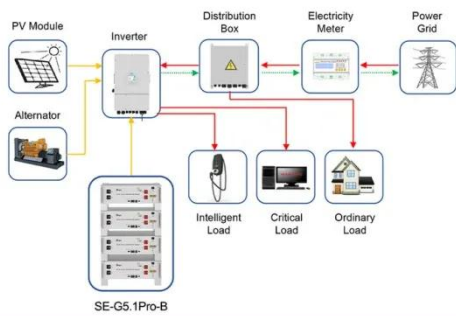
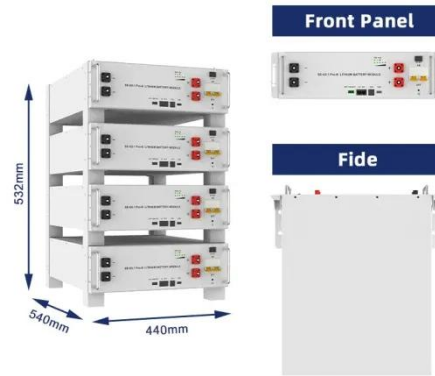
problems

This section describes some possible station setup and static measurement issues, possible causes, and how to solve them. Trimble recommends that you use the Siteworks or SCS900 software to ...



How To Fix Your Base Station May Have Trouble Communicating ...

Troubleshoot your SimpliSafe base station communication issues with our step-by-step guide. Ensure seamless connectivity with your devices today!



Application scenarios of energy storage battery products

2N Base Station Not Connecting? A Troubleshooting Guide

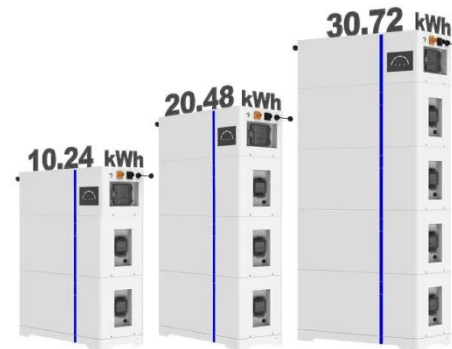
Is your 2N base station not connecting to the network or intercoms? Our guide helps you troubleshoot power, network, and pairing issues for a stable connection.

Troubleshooting Messages During Ring Alarm Base ...

Learn what each Base Station error

message means and how to fix it to successfully connect your device.

ESS



How to Reconnect Your Robot to the Base Station - Narwal Robotics

(Therefore, if these two keys are accidentally touched, it may seemingly appear that the connection has been disconnected, but the problem is actually that the base station enters the pairing mode. Simply ...

Contact Us

For catalog requests, pricing, or partnerships, please visit:
<https://www.peregrine-energy.co.za>

