

## PEES Power Systems

# China Solar Energy Storage Cabinet Project Bidding



## China Solar Energy Storage Cabinet Project Bidding

---

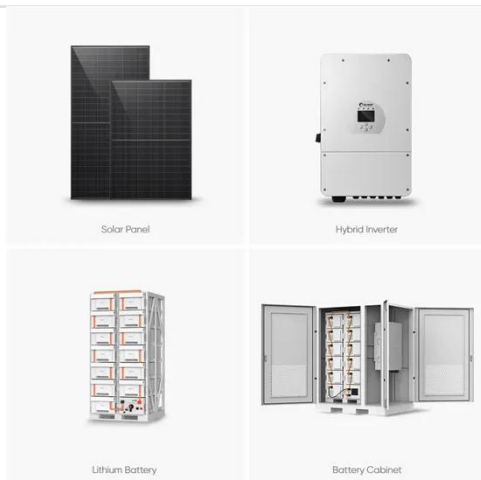


### Shiyan New Energy Storage Cabinet Bidding

Our battery storage cabinets are constructed with a modular design, providing optimal flexibility for businesses across various sectors. Our power storage cabinets also adhere to safety and quality ...

### 'Mind-blowing' bids in Power China's 16GWh BESS tender

The tender for the design, manufacture, installation and 20-year operations & maintenance (O& M) of battery energy storage systems (BESS) for Power China's 2025-2026 ...



### CEEC Opens Bidding for 25GWh Energy Storage Systems

J, Beijing, China -- China Energy Engineering Group Co., Ltd. (CEEC), one of the country's leading state-owned energy conglomerates, has officially opened the bidding for its 2025 ...

## China Energy Engineering launches record 25 GWh storage tender as

China Energy Engineering Corporation's landmark procurement signals a shift toward market-driven energy storage, with bids reflecting aggressive cost-cutting and rising industry ...



## Over 6GWh! A Comprehensive Summary of China's Energy Storage ...

Centralized independent storage, supporting storage for wind and solar farms, and commercial/industrial (C& I) storage projects are all accelerating implementation. Project scales ...

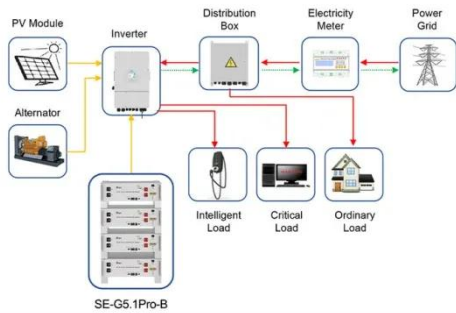
## China Network Energy Storage Cabinet Bidding: What You Need to ...

As the industry evolves, so do the bidding strategies. The question isn't whether you'll participate in China's network energy storage cabinet bidding, but how quickly you'll adapt to its breakneck pace.



## East Asia New Energy Storage Project Bidding: Key Insights

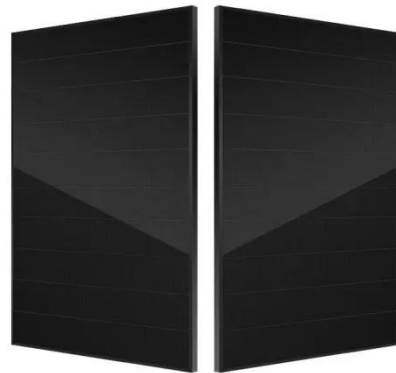
This article explores the latest bidding opportunities, market dynamics, and strategic approaches for participating in energy storage tenders across China, Japan, and South Korea.



Application scenarios of energy storage battery products

## \$66/KWh: PowerChina Opens Bidding for 16GWh Energy Storage

On December 4, Power Construction Corporation of China (PowerChina) opened bids for its 2025-2026 energy storage system equipment procurement project, with an estimated total ...



## China power construction energy storage bidding

(Yicai Global) Oct. 22 -- A subsidiary of China's Huawei Technologies has won the bidding to supply battery energy storage system technology to the world's largest solar power ...

## China Energy Engineering launches record 25 GWh storage tender as

China Energy Engineering Corporation (CEEC), a state-owned infrastructure giant, has launched one of China's largest energy storage procurements to date, tendering 25 GWh of lithium ...



---

## Contact Us

For catalog requests, pricing, or partnerships, please visit:  
<https://www.peregrine-energy.co.za>

