

PEES Power Systems

China 5g solar telecom integrated cabinet inverter grid connection construction



China 5g solar telecom integrated cabinet inverter grid connection



Outdoor Telecom Battery Integrated Cabinet etc 5g IP65 Waterproof ...

XYH series intelligent charging and discharging integrated equipment. It is widely used in communication, electric power, rail transit and other industries. The core components are imported ...

Solar Hybrid Telecom Power System-Pure Solar Telecom Power System

ONESUN is a Chinese enterprise founded in 2014, specializing in integrated solar power generation + energy storage systems. It not only manufactures batteries and inverters, but also ...



For Telecom Applications

This cabinet can economically house a variety of next generation electronic equipment including telco backhaul, fiber distribution, and radio equipment for wireless applications.

China Hybrid Solar Telecom Solutions, Competitive Price Hybrid Solar

As 5G networks accelerate worldwide, seamless connectivity has become an everyday expectation--whether people are streaming videos in shopping malls, joining HD conference calls in ...



114KWh ESS



ISO 9001 ISO 14001 PICC RoHS CE MSDS UN38.3 UK CA IEC

Telecom Power-5G power, hybrid and iEnergy network energy ...

For a macro station, the station is built in the form of one cabinet, highly integrated with the power system, batteries and telecom equipment, and it is simple, integrated and economical.

Which is the best integrated power cabinet for 5G base stations in

Modern industrial solar installations now feature integrated systems with 50kW to multi-megawatt capacity at costs below \$1.50 per watt for complete industrial energy solutions.



China 5g communication base station inverter grid connection



KRUCZA INVERTER - Professional inverter solutions including residential inverters, industrial inverters, solar inverters, micro inverters, grid-connected and off-grid inverters.

THE LARGEST 5G SMART GRID IN CHINA HAS BEEN BUILT ...

China Tower and Huawei conducted joint pilot verification in 2018 and found that the 5G Power solution could support effective 5G site deployment without changing the grid, power distribution or cabinets.

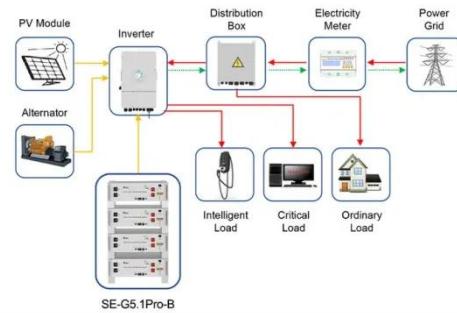


China Hybrid solar power system for 5G towers, Off-grid solar ...

Solar + Battery + Grid/Diesel Backup - Ensures continuous operation even in low sunlight. Auto-Switching Technology - Seamlessly transitions between energy sources to prevent downtime.

Green Power Solutions for 5G Telecom Cabinets: How Solar Modules ...

Solar Module integration enables 5G telecom cabinets to cut grid electricity costs by up to 30% through on-site renewable generation, hybrid energy management, and advanced storage.



Application scenarios of energy storage battery products

Contact Us

For catalog requests, pricing, or partnerships, please visit:
<https://www.peregrine-energy.co.za>

