

PEES Power Systems

Brasilia brand new inverter for sale

12.8V 200Ah



Brasilia brand new inverter for sale



Brasília travel

Overview Brasília, conceived as a workable, utopic answer to urban chaos, replaced Rio as capital in 1960 and remains an impressive monument to national initiative. The purpose-built city is lauded by many for its ...

The Brazilian City Most Tourists Miss--and Why You Shouldn't

Brasília is an underrated city in Brazil, with striking Modernist architecture, one-of-a-kind art, renowned restaurants, and the country's largest urban park.

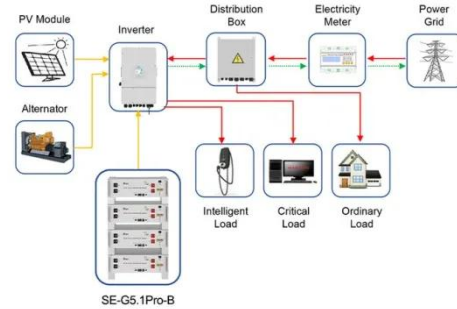


Brasilia, Brazil

Since the 1960s, the National Congress has its seat in Brasilia. As most of the official buildings in the city, it was designed by Oscar Niemeyer following the style of modern Brazilian architecture.

Brasília - Visit Brasil

The third capital of Brazil, after Salvador and Rio de Janeiro, Brasília was inaugurated in 1960 by then president Juscelino Kubitschek. The new capital was an audacious project, designed by architect Oscar Niemeyer, ...



Application scenarios of energy storage battery products



Exploring Brasília: Brazil's Futuristic Capital for Foreign Tourists

There is, however, a quiet beauty in Brasilia which you can't get anywhere else. Although it does not try to wow you on first sight, this is a city that unfolds slowly and with purpose, much like a narrative ...

Brasília

Brasilia's geographically central location fostered a more regionally neutral federal capital. The idea of relocating Brazil's capital city was conceived in 1827 by José Bonifácio, an advisor to Emperor Pedro I.



Brasilia - Travel guide at Wikivoyage

Brasilia (Portuguese: Brasília), the capital

of Brazil and the seat of government of the Distrito Federal, is a planned city in the Central Highlands of Brazil.



Brasilia, Brazil: All You Must Know Before You Go (2026)

Renowned for its modernist lines and futuristic design, Brasilia is a study in urban planning and the only city built in the 20th century to be counted among UNESCO's World Heritage Sites.



Brasilia , Facts, History, Map, & Architecture , Britannica

Brasilia is the capital of Brazil. Located in the Federal District within Goias state on the central plateau of Brazil, it lies between the headwaters of the Tocantins, Parana, and Sao Francisco rivers. ...

Contact Us

For catalog requests, pricing, or partnerships, please visit:

<https://www.peregrine-energy.co.za>

