

PEES Power Systems

Average power generation of 100w solar panels



Overview

On average, a 100-watt solar panel can produce between 300 to 600 watt-hours (Wh) of energy per day, depending on your location's sunlight hours, weather, and panel orientation. The term "100W" refers to the maximum power output of the solar panel under ideal conditions, specifically when exposed to full sunlight (approximately 1000 watts per square meter).

Sunlight Availability: The amount of sunlight. Now, the amount of electricity in terms of kWh any solar panel will produce depends on only these two factors: Solar Panel Size (Wattage). Most common solar panel sizes include 100-watt, 300-watt, and 400-watt solar panels, for example. Factors influencing energy output, 2. The total energy produced over the course of my test was 4.

Average power generation of 100w solar panels

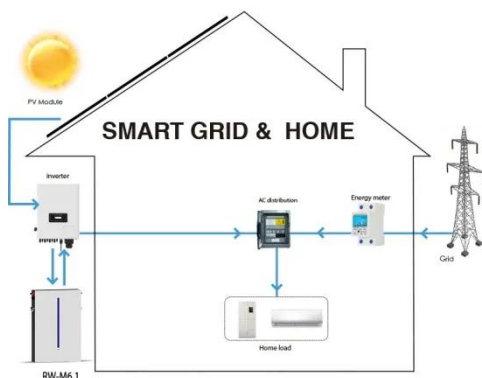


Solar Power Calculator: What Can a 100W Solar Panel Power?

A solar power calculator is essential for estimating the performance of a 100w solar panel. By inputting location, sunlight hours, and appliance power requirements, users can predict energy production.

How Much Power from a 100W Solar Panel: Myths and Facts

Learn how much power a 100W solar panel generates, explore common myths, downsides, and FAQs to make informed solar energy decisions.



How Much Energy Does a 100 Watt Solar Panel Produce?

After 10 days of testing, I learned that, on average, a 100 watt solar panel will output around 300-500 watt hours per day. However, solar panel output can vary widely based on factors ...

How much electricity can a 100w solar panel generate?

When considering how much electricity a 100W solar panel can generate, it is paramount to delve into the multifaceted factors that affect its performance. Panel efficiency, angle of installation, ...



How Much Energy Does A Solar Panel Produce?

If you're thinking about going solar, one of your biggest questions is likely: how much electricity can a solar panel actually produce? This in-depth guide breaks down the numbers, the ...

Power Budget: What A 100-Watt Solar Panel Can Realistically Run

On average, a 100-watt solar panel can produce between 300 to 600 watt-hours (Wh) of energy per day, depending on your location's sunlight hours, weather, and panel orientation.



How Much Power Does a 100w Solar Panel Produce

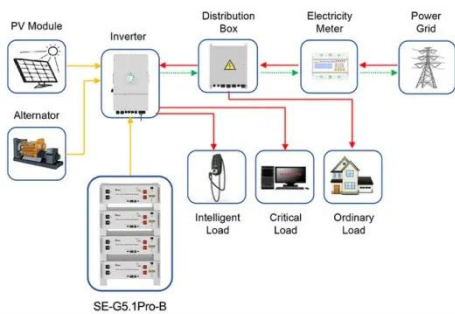
When considering how much electricity a



100W solar panel can generate, it is paramount to delve into the multifaceted factors that affect its ...

How Much Power Does a 100w Solar Panel Produce

On average, a 100-watt solar panel generates about 300 watt hours and 600 watt hours of power. The amount of energy produced by solar panels depends on certain factors.



Application scenarios of energy storage battery products

Solar Panel kWh Calculator: kWh Production Per Day, Month, Year

Based on this solar panel output equation, we will explain how you can calculate how many kWh per day your solar panel will generate. We will also calculate how many kWh per year do solar panels ...

How Many kWh Does A Solar Panel Produce Per Day?

Most common solar panel sizes include 100-watt, 300-watt, and 400-watt solar panels, for example. The bigger the rated wattage of a solar panel, the more kWh per day it will produce.



100W Solar Panel: Power Output, Charging Time, and Use Cases

Its actual performance in the real world depends on the following factors: In good weather, you can expect around 300-600Wh (watt-hours) per day from a 100W panel. That ...

Contact Us

For catalog requests, pricing, or partnerships, please visit:
<https://www.peregrine-energy.co.za>

