

PEES Power Systems

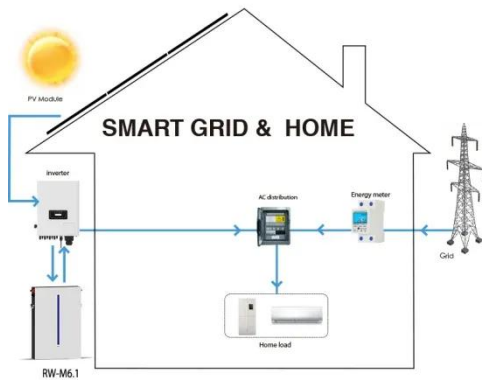
Assembling batteries and inverters



Overview

Whether you're setting up a solar power system or just looking to power your home appliances during power outages, understanding how to properly connect an inverter to a battery is crucial. more. Basically, assembling an inverter is a process that requires precision and accuracy. It not only helps you save money but also reduces your carbon footprint, making it a win-win for both your wallet and the. Inverters and Uninterruptible Power Supplies (UPS) both rely on batteries, but the way they connect can vary. Understanding these differences is crucial for anyone looking to set up a reliable power backup solution. This portable unit serves as a quiet, fume-free alternative to traditional fuel generators, offering flexibility.

Assembling batteries and inverters



Power Inverter Installation , Magnum Dimensions

How can we supply such a high current to the inverter safely and efficiently? This article will guide you through a successful power inverter installation. We are beginning with the assumption that the main ...

How to Connect an Inverter to a Battery: Step-by-Step Guide for Solis

Learn how to safely and efficiently connect an inverter to a battery with our step-by-step guide. Includes brand-specific tips for Solis, Deye, Megarevo, SRNE, and more.

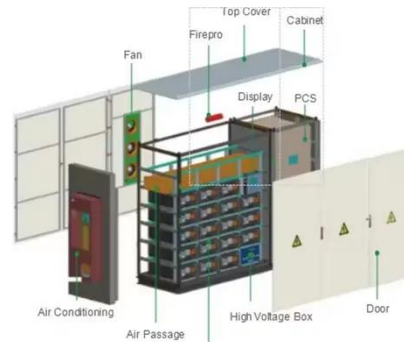


A Comprehensive Guide to Inverter Assembling Process for Beginners

In this article, we will explore the basic principles of inverter assembling, key components, assembly tips to make it run smoothly, and troubleshooting techniques to overcome problems that ...

18650 Lithium Battery Assembling

In this video, we show the step-by-step process of assembling a lithium battery pack using 18650 cells.



Inverter Connection with Battery - Step-by-Step Guide

In this video, we will walk you through the process of connecting an inverter to a battery for efficient power backup.

How To Assemble Solar Panel System?

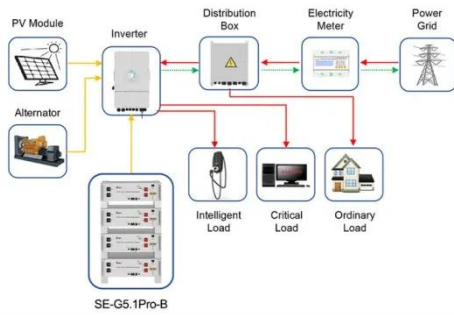
This guide provides step-by-step instructions for installing solar panels, inverters, batteries, and connecting the system to the grid or an off-grid setup. It also covers troubleshooting ...



How to connect inverter to battery: a step-by-step guide for safe and

We'll explore how to connect inverter to battery, its purpose, and the tools

needed for a proper and safe connection. Connecting an inverter to a battery is a crucial step in setting up a ...



Application scenarios of energy storage battery products

Inverter Battery Connection: Essential Tips For Safe And Efficient

Learn essential tips for safe and efficient inverter battery connection. Discover step-by-step guides, wiring techniques, and troubleshooting tips to optimize your power backup system's performance and ...



Lower cost
larger system

 Verified Supplier

20Kwh
30Kwh



How to Install Solar Panel Battery and Inverter: A Step-by-Step Guide

Unlock the potential of solar energy with our comprehensive guide on installing solar panel batteries and inverters. Discover how to reduce energy costs and minimize your carbon ...

How to Build a Battery Box With an Inverter

Learn how to safely construct a DIY portable power station, covering component selection, critical capacity calculations, and essential safety features.



Contact Us

For catalog requests, pricing, or partnerships, please visit:
<https://www.peregrine-energy.co.za>

